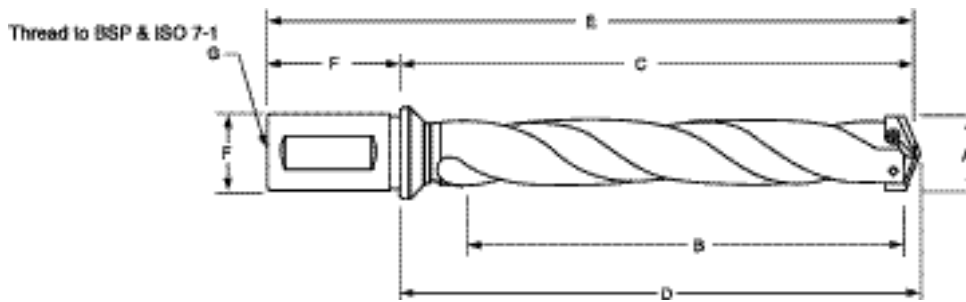
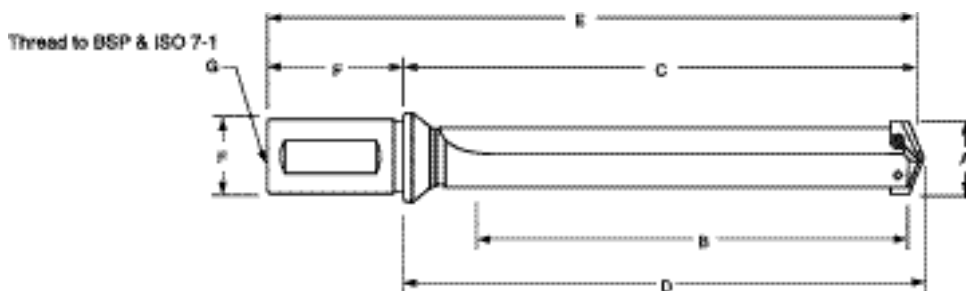


## Flanged Straight Shank Holders EXTENDED LENGTH - Spiral Flute (Metric)



Series	EDP No.	A	B	C	D	E	F		G
		Drill Insert Range	Max. Drill Depth	Flute Length	Ref. Length	Overall Length	Dia.	Length	
Y	KSE095110182	9.5 ~ 11.0	111.1	140.5	142.9	182.4	20.0	41.9	1/8"
Z	KSE115125182	11.5 ~ 12.5	111.1	140.5	142.9	182.4	20.0	41.9	1/8"
0	KSE130175185	13.0 ~ 17.5	114.3	142.9	145.7	184.8	20.0	41.9	1/8"
0.5	KSE155175185	15.5 ~ 17.5	114.3	142.9	145.7	184.8	20.0	41.9	1/8"
1	KSE180240360	18.0 ~ 24.0	269.9	307.2	310.8	360.3	25.0	53.1	1/8"
1.5	KSE220240360	22.0 ~ 24.0	269.9	307.2	310.8	360.3	25.0	53.1	1/8"
2	KSE250350390	25.0 ~ 35.0	288.9	331.8	335.4	389.7	32.0	57.9	1/4"
2.5	KSE300350390	30.0 ~ 35.0	288.9	331.8	335.4	389.7	32.0	57.9	1/4"

## Flanged Straight Shank Holders EXTENDED LENGTH - Straight Flute (Metric)



Series	EDP No.	A	B	C	D	E	F		G
		Drill Insert Range	Max. Drill Depth	Flute Length	Ref. Length	Overall Length	Dia.	Length	
3	KSF360470471A	36.0 ~ 47.0	349.3	401.6	406.4	471.7	40.0	70.1	1/4"
4	KSF480650541A	48.0 ~ 65.0	422.3	471.5	476.3	541.6	40.0	70.1	1/4"