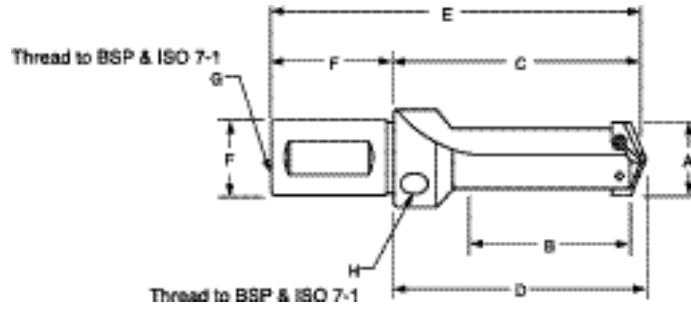
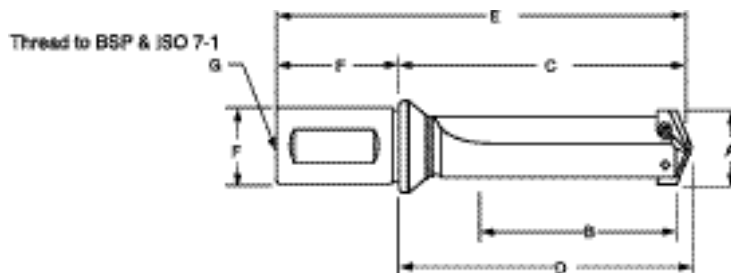


Flanged Straight Shank Holders STUB LENGTH - Straight Flute (Metric)



Series	EDP No.	A	B	C	D	E	F		G		H
		Drill Insert Range	Max. Drill Depth	Flute Length	Ref. Length	Overall Length	Dia.	Length	Rear	Side	
Y	KSA095110090	9.5 ~ 11.0	19.1	47.6	50.0	89.5	16.0	41.9	1/16"	1/8"	
Z	KSA115125090	11.5 ~ 12.5	19.1	47.6	50.0	89.5	16.0	41.9	1/16"	1/8"	
0	KSA130175090	13.0 ~ 17.5	22.2	47.6	50.4	89.5	20.0	41.9	1/8"	1/8"	
0.5	KSA155175090	15.5 ~ 17.5	22.2	47.6	50.4	89.5	20.0	41.9	1/8"	1/8"	
1	KSA180240129	18.0 ~ 24.0	47.6	75.8	79.4	128.9	25.0	53.1	1/8"	1/8"	
1.5	KSA220240142	22.0 ~ 24.0	57.2	88.5	92.1	141.6	25.0	53.1	1/8"	1/8"	
2	KSA250350146	25.0 ~ 35.0	57.2	88.5	92.1	146.4	32.0	57.9	1/4"	1/8"	

Flanged Straight Shank Holders SHORT LENGTH - Straight Flute (Metric)



Series	EDP No.	A	B	C	D	E	F		G
		Drill Insert Range	Max. Drill Depth	Flute Length	Ref. Length	Overall Length	Dia.	Length	Pipe Tap
Y	KSB095110103	9.5 ~ 11.0	31.8	61.1	63.5	103.0	20.0	41.9	1/8"
Z	KSB115125103	11.5 ~ 12.5	31.8	61.1	63.5	103.0	20.0	41.9	1/8"
0	KSB130175105	13.0 ~ 17.5	34.9	63.5	66.3	105.4	20.0	41.9	1/8"
0.5	KSB155175105	15.5 ~ 17.5	34.9	63.5	66.3	105.4	20.0	41.9	1/8"
1	KSB180240160	18.0 ~ 24.0	66.7	107.2	110.7	160.2	25.0	53.1	1/8"
1.5	KSB220240160	22.0 ~ 24.0	66.7	107.2	110.7	160.2	25.0	53.1	1/8"
2	KSB250350187	25.0 ~ 35.0	85.7	128.6	132.2	186.5	32.0	57.9	1/4"
2.5	KSB300350187	30.0 ~ 35.0	85.7	128.6	132.2	186.5	32.0	57.9	1/4"
3	KSB360470243	36.0 ~ 47.0	120.7	173.0	177.8	243.1	40.0	70.1	1/4"
4	KSB480650250	48.0 ~ 65.0	130.2	179.4	184.2	249.5	40.0	70.1	1/4"

THROW-AWAY