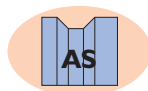


# ARBORS FOR BORING HEADS

DIN 69871

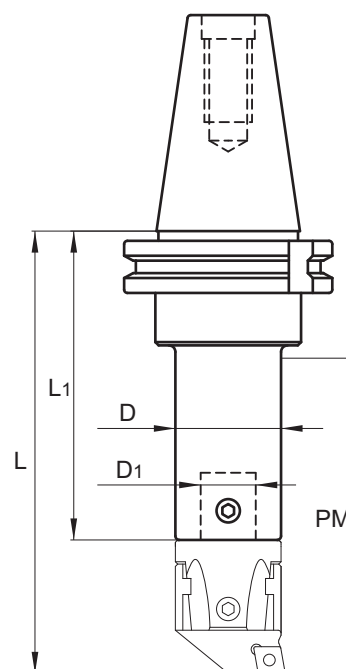


## ISO 30

Dimension					Product Number	Kg.	Coupling Screw
øD	øD1	L	L1	PM			
22	12	138	104	100	<b>AS 330 22 100</b>	0.640	22-68
27	15	90	48	55	<b>AS 330 27 55</b>	0.480	27-610
27	15	138	96	100	<b>AS 330 27 100</b>	0.690	27-610
32	20	96	51	60	<b>AS 330 32 60</b>	0.390	32-810
32	20	138	93	100	<b>AS 330 32 100</b>	0.650	32-810

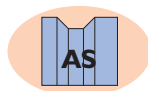
## ISO 40

Dimension					Product Number	Kg.	Coupling Screw
øD	øD1	L	L1	PM			
22	12	118	84	80	<b>AS 340 22 80</b>	1.350	22-68
22	12	138	104	100	<b>AS 340 22 100</b>	1.450	22-68
27	15	90	48	55	<b>AS 340 27 55</b>	1.250	27-610
27	15	138	96	100	<b>AS 340 27 100</b>	1.500	27-610
27	15	168	126	130	<b>AS 340 27 130</b>	1.600	27-610
32	20	96	51	60	<b>AS 340 32 60</b>	1.250	32-810
32	20	138	93	100	<b>AS 340 32 100</b>	1.500	32-810
32	20	168	123	130	<b>AS 340 32 130</b>	1.750	32-810
42	24	112	56	75	<b>AS 340 42 75</b>	1.300	42-1014
42	24	182	126	160	<b>AS 340 42 160</b>	2.100	42-1014
42	24	222	166	200	<b>AS 340 42 200</b>	2.600	42-1014
54	28	142	76	120	<b>AS 340 54 120</b>	1.850	54-1220
54	28	182	116	160	<b>AS 340 54 160</b>	2.450	54-1220
54	28	222	156	200	<b>AS 340 54 200</b>	3.150	54-1220
68	36	183	97	160	<b>AS 340 68 160</b>	2.500	68-1624
68	36	223	137	200	<b>AS 340 68 200</b>	3.650	68-1624
85	50	224	124	200	<b>AS 340 85 200</b>	5.650	85-1630
100	60	224	124	200	<b>AS 340 100 200</b>	5.950	100-2035



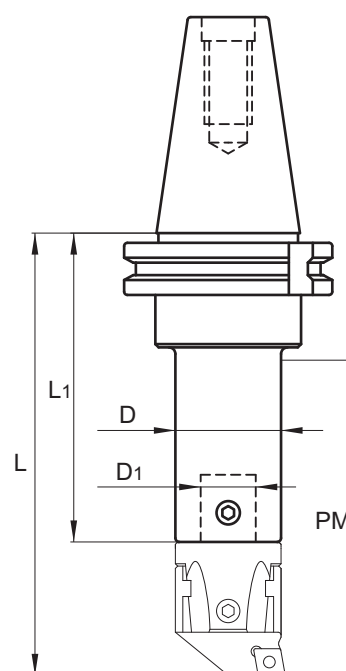
# ARBORS FOR BORING HEADS

DIN 69871



ISO 45 (UPON REQUEST)

Dimension					Product Number	Kg.	Coupling Screw
øD	øD1	L	L1	PM			
22	12	118	84	80	<b>AS 345 22 80</b>	2.250	22-68
22	12	138	104	100	<b>AS 345 22 100</b>	2.350	22-68
27	15	90	48	55	<b>AS 345 27 55</b>	1.750	27-610
27	15	138	96	100	<b>AS 345 27 100</b>	2.400	27-610
27	15	168	126	130	<b>AS 345 27 130</b>	2.600	27-610
32	20	96	51	60	<b>AS 345 32 60</b>	1.800	32-810
32	20	168	123	130	<b>AS 345 32 130</b>	2.850	32-810
32	20	198	153	160	<b>AS 345 32 160</b>	3.100	32-810
42	24	112	56	75	<b>AS 345 42 75</b>	1.900	42-1014
42	24	198	142	160	<b>AS 345 42 160</b>	3.000	42-1014
42	24	238	182	200	<b>AS 345 42 200</b>	3.300	42-1014
54	28	125	59	90	<b>AS 345 54 90</b>	2.400	54-1220
54	28	182	116	160	<b>AS 345 54 160</b>	3.900	54-1220
54	28	222	156	200	<b>AS 345 54 200</b>	4.650	54-1220
68	36	223	137	200	<b>AS 345 68 200</b>	4.800	68-1624
68	36	283	197	260	<b>AS 345 68 260</b>	6.650	68-1624
85	50	224	124	200	<b>AS 345 85 200</b>	5.400	85-1630
85	50	284	184	260	<b>AS 345 85 260</b>	8.150	85-1630
85	50	344	244	320	<b>AS 345 85 320</b>	8.900	85-1630



# ARBORS FOR BORING HEADS

DIN 69871



## ISO 50

Dimension					Product Number	Kg.	Coupling Screw
øD	øD1	L	L1	PM			
22	12	118	84	80	<b>AS 350 22 80</b>	3.200	22-68
22	12	138	104	100	<b>AS 350 22 100</b>	3.750	22-68
27	15	90	48	55	<b>AS 350 27 55</b>	3.150	27-610
27	15	138	96	100	<b>AS 350 27 100</b>	3.300	27-610
27	15	168	126	130	<b>AS 350 27 130</b>	3.450	27-610
32	20	96	51	60	<b>AS 350 32 60</b>	3.500	32-810
32	20	168	123	130	<b>AS 350 32 130</b>	4.100	32-810
32	20	198	153	160	<b>AS 350 32 160</b>	4.350	32-810
42	24	112	56	75	<b>AS 350 42 75</b>	3.600	42-1014
42	24	198	142	160	<b>AS 350 42 160</b>	4.600	42-1014
42	24	238	182	200	<b>AS 350 42 200</b>	5.150	42-1014
54	28	128	62	90	<b>AS 350 54 90</b>	4.100	54-1220
54	28	198	132	160	<b>AS 350 54 160</b>	5.100	54-1220
54	28	238	172	200	<b>AS 350 54 200</b>	5.950	54-1220
68	36	151	65	115	<b>AS 350 68 115</b>	3.500	68-1624
68	36	223	137	200	<b>AS 350 68 200</b>	6.100	68-1624
68	36	283	197	260	<b>AS 350 68 260</b>	7.800	68-1624
85	50	224	124	200	<b>AS 350 85 200</b>	6.700	85-1630
85	50	284	184	260	<b>AS 350 85 260</b>	9.400	85-1630
85	50	344	244	320	<b>AS 350 85 320</b>	12.000	85-1630
*	100	60	214	114	<b>AS 350 100 190</b>	6.600	100-2035
*	100	60	284	184	<b>AS 350 100 260</b>	10.900	100-2035
*	100	60	344	244	<b>AS 350 100 320</b>	14.600	100-2035
*	100	60	160	70	<b>AS 550 160</b>	6.000	M12X40

\* ALSO FOR HEADS Ø200

\* SEE PAGE 38: THE ASSEMBLY SYSTEM FOR LARGE BORING HEADS

