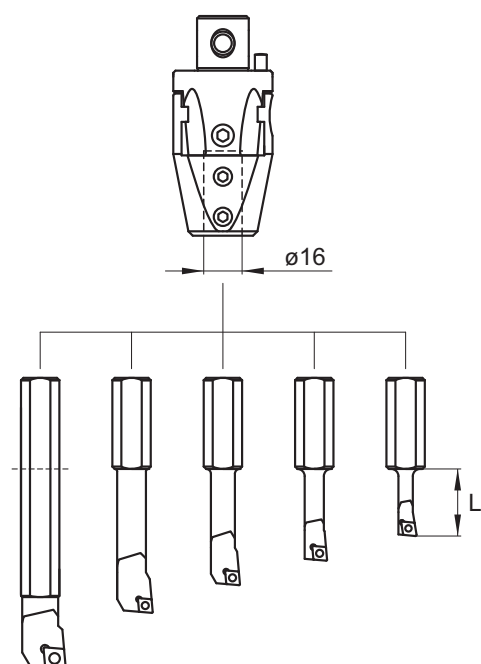


INDEXABLE BORING BARS FOR A 42 016



RHOMBIC INSERT

Bore Range		L	Product Number	Insert	Clamp Screw	Clamp Key
Min	Max					
6	24	20	S05/16 SELPR 04	EPGT 0401 .. L	M2X3.3	T6
8	26	25	S06/16 SELPR 04	EPGT 0401 .. L	M2X4	T6
8	26	25	S06/16 SELPR 05	EPMT 0502 ..	M2.2X5.6	T7
10	28	35	S08/16 SCLCR 06	CCMT 0602 ..	M2.5X4.8	T8
13	31	45	S10/16 SCLCR 06	CCMT 0602 ..	M2.5X6	T8
16	34	57	S12/16 SCLCR 06	CCMT 0602 ..	M2.5X6.8	T8
20	38	73	S16/16 SCLCR 09	CCMT 09T3 ..	M4X8.5	T15

TRIANGULAR INSERT

Bore Range		L	Product Number	Insert	Clamp Screw	Clamp Key
Min	Max					
8	26	25	S06/16 STFCR 06	TCMT 06T1 ..	M2X4.9	T6
10	28	35	S08/16 STFCR 06	TCMT 06T1 ..	M2X4.9	T6
13	31	45	S10/16 STFCR 09	TCMT 0902 ..	M2.2X6.4	T7
16	34	57	S12/16 STFCR 09	TCMT 0902 ..	M2.2X6.4	T7
20	38	73	S16/16 STFCR 09	TCMT 0902 ..	M2.2X6.4	T7
20	38	73	S16/16 STFCR 16	TCMT 16T3 ..	M4X8.5	T15