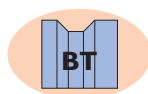


ARBORS FOR BORING HEADS

MAS BT 403

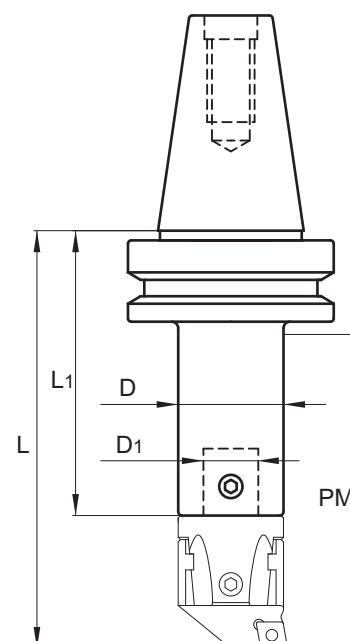


ISO 30

Dimension					Product Number	Kg.	Coupling Screw
øD	øD1	L	L1	PM			
22	12	125	91	100	BT 330 22 100	0.580	22-68
27	15	77	35	55	BT 330 27 55	0.450	27-610
27	15	125	83	100	BT 330 27 100	0.640	27-610
32	20	83	38	60	BT 330 32 60	0.450	32-810
32	20	125	80	100	BT 330 32 100	0.690	32-810
42	24	100	44	75	BT 330 42 75	0.550	42-1014

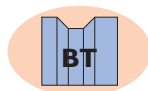
ISO 40

Dimension					Product Number	Kg.	Coupling Screw
øD	øD1	L	L1	PM			
22	12	80	46	50	BT 340 22 50	1.200	22-68
22	12	110	76	80	BT 340 22 80	1.300	22-68
22	12	130	96	100	BT 340 22 100	1.390	22-68
27	15	82	40	55	BT 340 27 55	1.200	27-610
27	15	130	88	100	BT 340 27 100	1.450	27-610
27	15	160	118	130	BT 340 27 130	1.600	27-610
32	20	88	43	60	BT 340 32 60	1.200	32-810
32	20	130	85	100	BT 340 32 100	1.470	32-810
32	20	160	115	130	BT 340 32 130	1.700	32-810
42	24	104	48	75	BT 340 42 75	1.300	42-1014
42	24	190	134	160	BT 340 42 160	2.250	42-1014
42	24	230	174	200	BT 340 42 200	2.750	42-1014
54	28	120	54	90	BT 340 54 90	1.800	54-1220
54	28	190	124	160	BT 340 54 160	2.800	54-1220
54	28	230	164	200	BT 340 54 200	3.550	54-1220
68	36	181	95	160	BT 340 68 160	2.800	68-1624
68	36	221	135	200	BT 340 68 200	3.900	68-1624
85	50	220	120	200	BT 340 85 200	5.900	85-1630
100	60	220	120	200	BT 340 100 200	6.200	100-2035



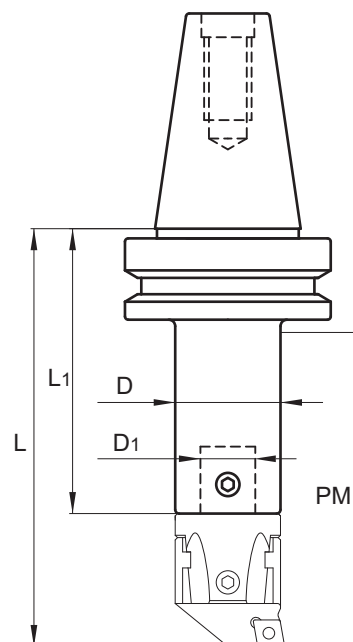
ARBORS FOR BORING HEADS

MAS BT 403



ISO 45 (UPON REQUEST)

Dimension					Product Number	Kg.	Coupling Screw
øD	øD1	L	L1	PM			
22	12	116	82	80	BT 345 22 80	2.550	22-68
22	12	136	102	100	BT 345 22 100	2.610	22-68
27	15	88	46	55	BT 345 27 55	2.550	27-610
27	15	136	94	100	BT 345 27 100	2.750	27-610
27	15	166	124	130	BT 345 27 130	2.800	27-610
32	20	94	49	60	BT 345 32 60	2.550	32-810
32	20	166	121	130	BT 345 32 130	2.950	32-810
32	20	196	151	160	BT 345 32 160	3.200	32-810
42	24	110	54	75	BT 345 42 75	2.650	42-1014
42	24	196	140	160	BT 345 42 160	3.500	42-1014
42	24	236	180	200	BT 345 42 200	4.000	42-1014
54	28	123	57	90	BT 345 54 90	2.850	54-1220
54	28	196	130	160	BT 345 54 160	4.100	54-1220
54	28	236	170	200	BT 345 54 200	4.800	54-1220
68	36	237	151	200	BT 345 68 200	5.550	68-1624
68	36	297	211	260	BT 345 68 260	7.250	68-1624
85	50	236	136	200	BT 345 85 200	6.100	85-1630
85	50	296	196	260	BT 345 85 260	8.850	85-1630
85	50	356	256	320	BT 345 85 320	11.650	85-1630



ARBORS FOR BORING HEADS

MAS BT 403



ISO 50



Dimension					Product Number	Kg.	Coupling Screw
øD	øD1	L	L1	PM			
22	12	121	87	80	BT 350 22 80	4.200	22-68
22	12	141	107	100	BT 350 22 100	4.350	22-68
27	15	93	51	55	BT 350 27 55	4.050	27-610
27	15	141	99	100	BT 350 27 100	4.400	27-610
27	15	171	129	130	BT 350 27 130	4.500	27-610
32	20	99	54	60	BT 350 32 60	3.950	32-810
32	20	171	126	130	BT 350 32 130	4.600	32-810
32	20	201	156	160	BT 350 32 160	4.800	32-810
42	24	115	59	75	BT 350 42 75	4.150	42-1014
42	24	201	145	160	BT 350 42 160	5.200	42-1014
42	24	241	185	200	BT 350 42 200	5.800	42-1014
54	28	131	65	90	BT 350 54 90	4.800	54-1220
54	28	201	135	160	BT 350 54 160	5.800	54-1220
54	28	241	175	200	BT 350 54 200	6.500	54-1220
68	36	154	68	115	BT 350 68 115	4.450	68-1624
68	36	242	156	200	BT 350 68 200	7.200	68-1624
68	36	302	216	260	BT 350 68 260	8.850	68-1624
85	50	242	142	200	BT 350 85 200	7.850	85-1630
85	50	302	202	260	BT 350 85 260	10.650	85-1630
85	50	362	262	320	BT 350 85 320	13.400	85-1630
*	100	60	195	95	BT 350 100 170	6.150	100-2035
*	100	60	302	202	BT 350 100 260	12.850	100-2035
*	100	60	362	262	BT 350 100 320	16.500	100-2035
*	100	60	160	70	BT 550 160	6.250	M12X40

* ALSO FOR HEADS Ø200

* SEE PAGE 38: THE ASSEMBLY SYSTEM FOR LARGE BORING HEADS

