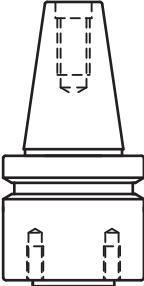
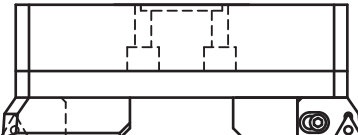
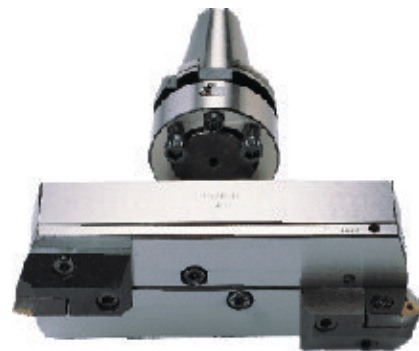


# ASSEMBLY SYSTEM FOR LARGE BORING HEADS

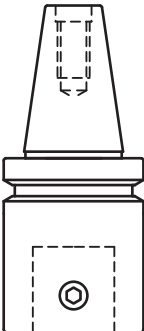
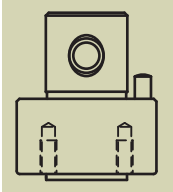
## ARBORS FOR LARGE BORING HEADS

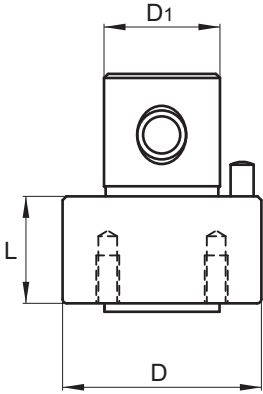
Ø		Product Number	Coupling Screw
		300 400 500	

**DIRECT MOUNT**



## ADAPTOR FOR Ø100 STANDARD PINZBOHR ARBORS

Ø		Dimension			Product Number	Kg.	Coupling Screw
		øD	øD1	L			
300 400 500		100	60	50	<b>ADT 100-50</b>	4.600	M12X40



**ADAPTOR MOUNT**

