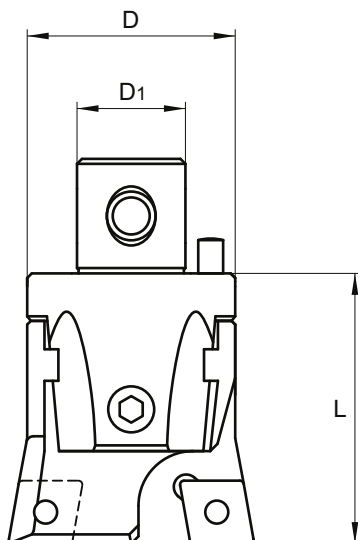


ROUGH HEADS 90° APPROACH



INTEGRAL POCKET TYPE HEADS SYNCHRONIZED ADJUSTMENT

Bore Range		Dimension			Product Number	Insert	Clamp Screw	Kg.	Adjustment		
Min	Max	øD	øD1	L					Adj. Key	Clamp Key	Locking Key
24	30	22	12	34	D22 90 400	CCMT 0602..	TT 400	0.100	2	T8	3
29	40	27	15	42	D27 90 401	CCMT 0803..	TT 401	0.180	2	T10	4
29	40	27	15	42	D27 90 409	CCMT 09T3..	TT 409	0.180	2	T15	4
39	50	32	20	45	D32 90 401	CCMT 0803..	TT 401	0.260	2.5	T10	4
39	50	32	20	45	D32 90 409	CCMT 09T3..	TT 409	0.260	2.5	T15	4
49	65	42	24	56	D42 90 300	TCMT 16T3..	TT 300	0.600	3	T15	5
49	65	42	24	56	D42 90 402	CCMT 1204..	TT 402	0.600	3	T20	5
53	65	42	24	56	D42 90 402N	CNMG 1204..L	TT 402N	0.600	3	2.5	5
63	82	54	28	66	D54 90 300	TCMT 16T3..	TT 300	1.100	3	T15	6
63	82	54	28	66	D54 90 402	CCMT 1204..	TT 402	1.100	3	T20	6
63	82	54	28	66	D54 90 402N	CNMG 1204..L	TT 402N	1.100	3	2.5	6