

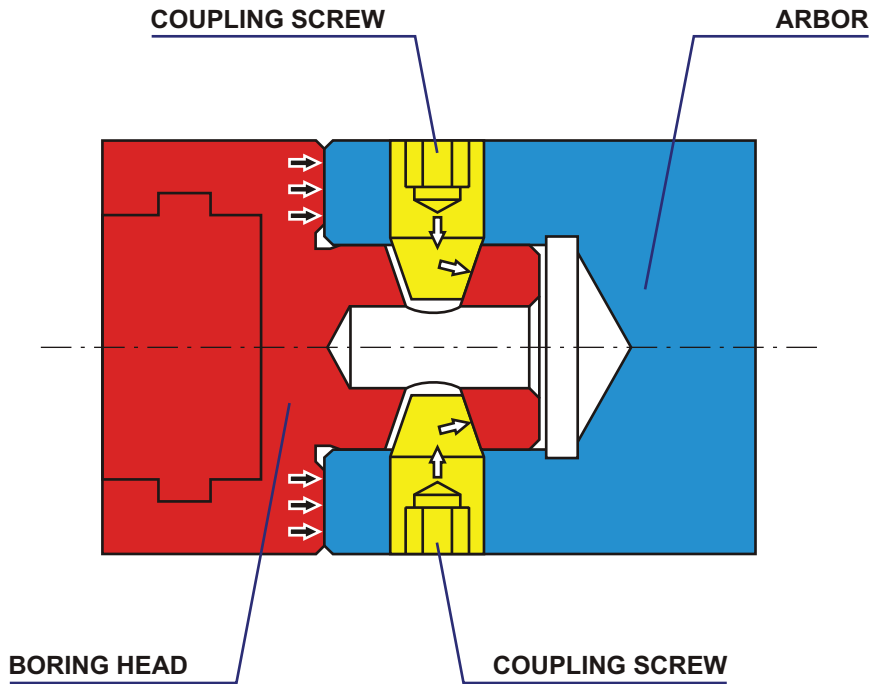
Bohrstar 54



BORING KITS from $\varnothing 6$ mm up to 210 mm



Coupling system



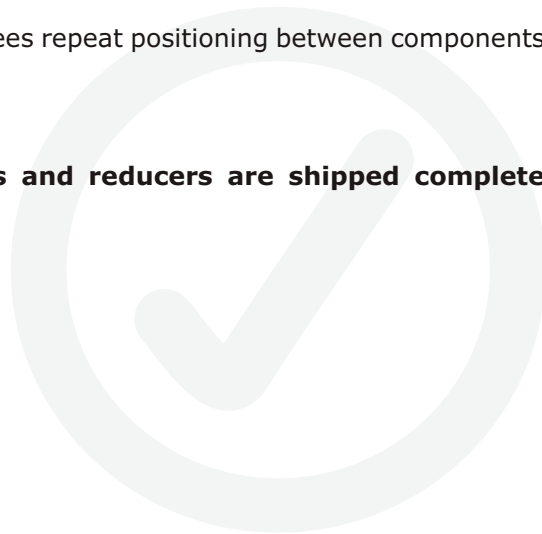
HIGH RIGIDITY

By tightening the two cone shaped coupling screws, high axial forces are developed in the tapered holes of the pilot shank. These axial forces preload the contact surface between the flange faces of the coupled components with high axial pressure for ample support against lateral loads. It can also dampen vibrations.

POSITIVE TOOL ORIENTATION

The locating pin guarantees repeat positioning between components at all times.

All arbors, extensions and reducers are shipped complete with coupling screws.

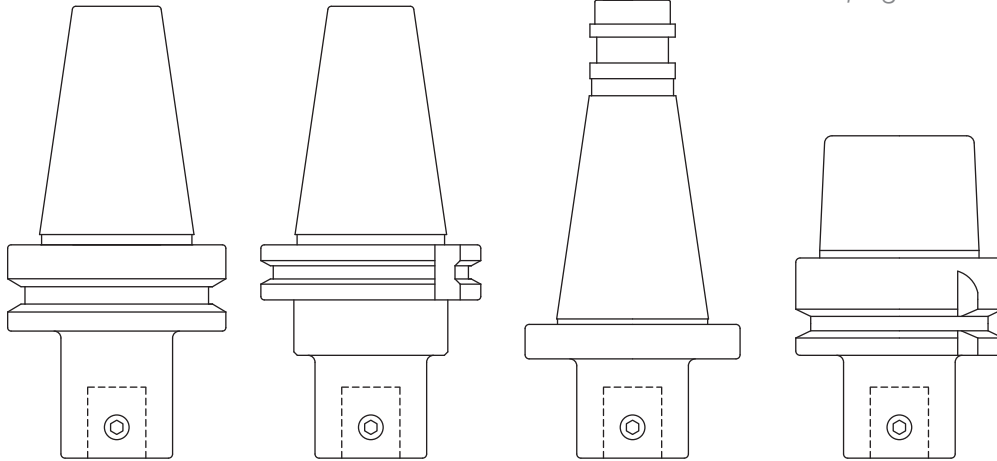


MAS BT 403
page 16

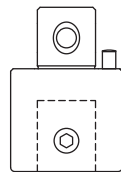
DIN 69871
page 17

DIN 2080
page 18

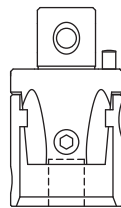
DIN 69893
HSK - A
page 19



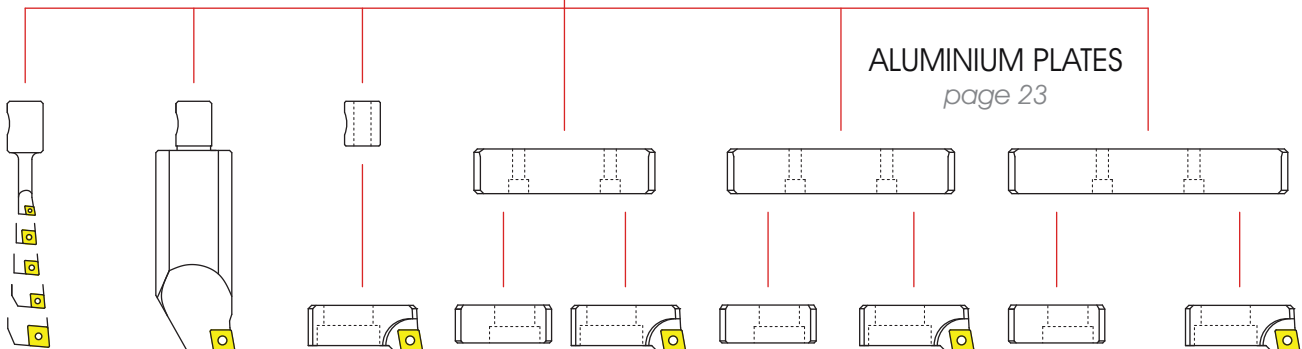
ACCESSORIES
page 20



BORING HEAD
page 20



BORING BARS
page 21



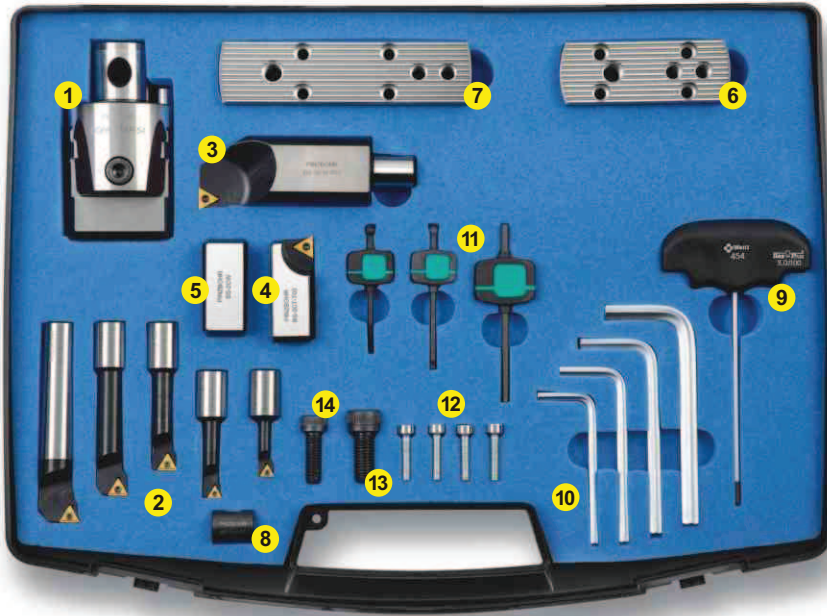
ALUMINIUM PLATES
page 23

CARTRIDGES
page 22

Bohrstar 54 KIT

Triangular insert 

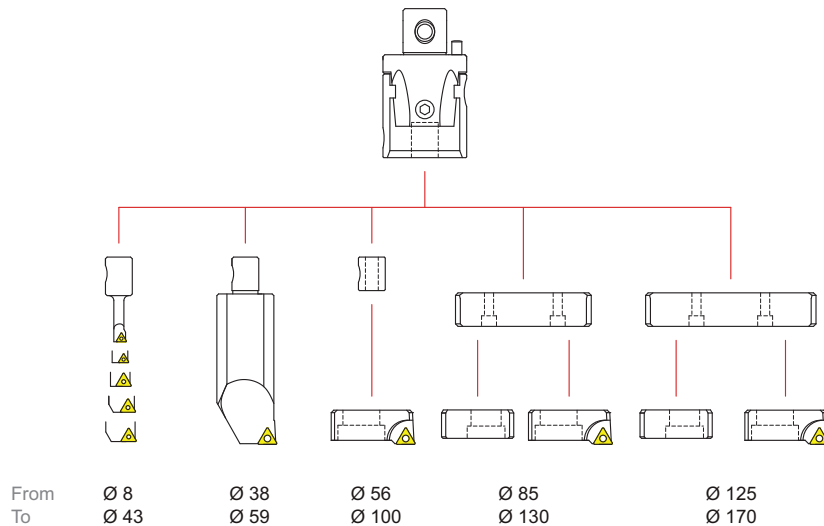
Ø 8 - 170



ORDERING NUMBER:
BS 54 KIT T 8-170

	Description	Product Number	Qty.
1	Bohrstar head	BS 54 16	1
	Boring bar 6 mm.	BS 06 16 T01	1
	Boring bar 8 mm.	BS 08 16 T01	1
2	Boring bar 10 mm.	BS 10 16 T02	1
	Boring bar 12 mm.	BS 12 16 T02	1
	Boring bar 16 mm.	BS 16 16 T02	1
3	Boring bar 34 mm.	BS 34 16 T03	1
4	Cartridge	BS 2CT T03	1
5	Counterweight	BS 2CW	1
6	Small plate	BS SP 85 130	1
7	Medium plate	BS SP 125 170	1
8	Location sleeve	BS 16 M10	1

	Description	Product Number	Qty.
9	Adjusting key	AK 03	1
	Hexagonal key 4	HK 04	1
	Hexagonal key 5	HK 05	1
10	Hexagonal key 6	HK 06	1
	Hexagonal key 8	HK 08	1
	Torx key 6	TK 06	1
11	Torx key 7	TK 07	1
	Torx key 8	TK 08	1
12	Plate fixing screws	D 27 21	4
13	Cartridge screw	CS 10 25	1
14	Counterweight screw	CS 08 25	1



MAS BT 403

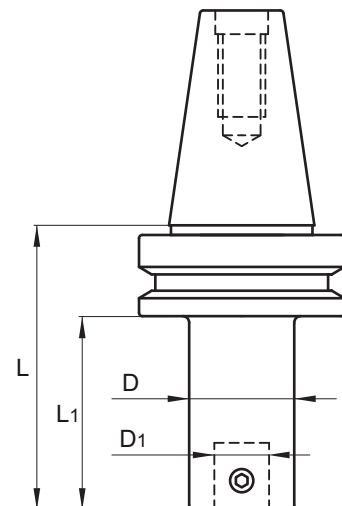


ISO 40

Dimension				Product Number	Kg.	Coupling Screw
ϕD	ϕD_1	L	L ₁			
54	28	54	27	BT 340 54 90	1.360	54-1220
54	28	124	97	BT 340 54 160	2.630	54-1220
54	28	164	137	BT 340 54 200	3.400	54-1220

ISO 50

Dimension				Product Number	Kg.	Coupling Screw
ϕD	ϕD_1	L	L ₁			
54	28	65	27	BT 350 54 90	4.100	54-1220
54	28	135	97	BT 350 54 160	5.400	54-1220
54	28	175	137	BT 350 54 200	6.110	54-1220



DIN 69871



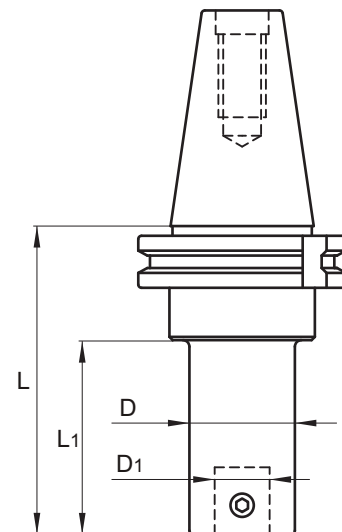
ISO 40

Dimension				Product Number	Kg.	Coupling Screw
øD	øD1	L	L1			
54	28	76	57	AS 340 54 120	1.630	54-1220
54	28	116	97	AS 340 54 160	2.350	54-1220
54	28	156	137	AS 340 54 200	3.120	54-1220



ISO 50

Dimension				Product Number	Kg.	Coupling Screw
øD	øD1	L	L1			
54	28	62	27	AS 350 54 90	3.550	54-1220
54	28	132	97	AS 350 54 160	4.840	54-1220
54	28	172	137	AS 350 54 200	5.570	54-1220



DIN 2080

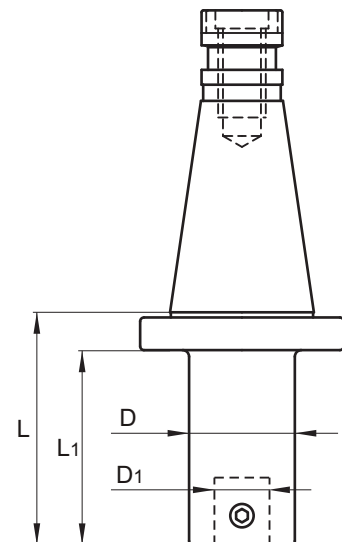
OTT

ISO 40

Dimension				Product Number	Kg.	Coupling Screw
ϕD	ϕD_1	L	L ₁			
54	28	39	27	OTT 340 54 90	1.150	54-1220
54	28	109	97	OTT 340 54 160	2.380	54-1220
54	28	149	137	OTT 340 54 200	3.150	54-1220

ISO 50

Dimension				Product Number	Kg.	Coupling Screw
ϕD	ϕD_1	L	L ₁			
54	28	43	27	OTT 350 54 90	3.100	54-1220
54	28	113	97	OTT 350 54 160	4.400	54-1220
54	28	153	137	OTT 350 54 200	5.100	54-1220



DIN 69893



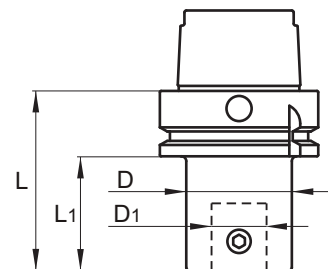
HSK 63

Dimension				Product Number	Kg.	Coupling Screw
$\varnothing D$	$\varnothing D_1$	L	L ₁			
54	28	70	44	HSK 63A 54 110	1.280	54-1220



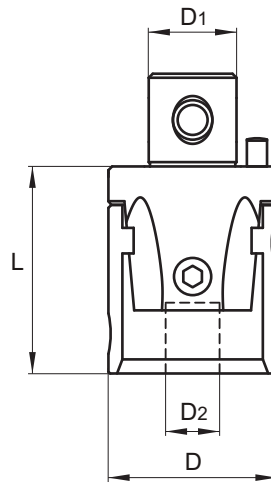
HSK 100

Dimension				Product Number	Kg.	Coupling Screw
$\varnothing D$	$\varnothing D_1$	L	L ₁			
54	28	73	44	HSK 100A 54 110	2.800	54-1220



Adjusting accuracy 0.002 mm Ø

Dimension				Product Number	Kg.
øD	øD1	øD2	L		
54	28	16	53	BS 54 16	1.100

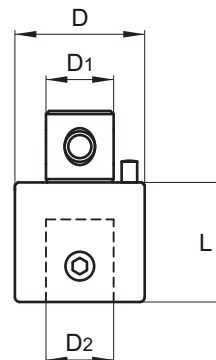


Accessories (Optional)

EXTENSIONS

FOR DEEPER HOLE APPLICATIONS

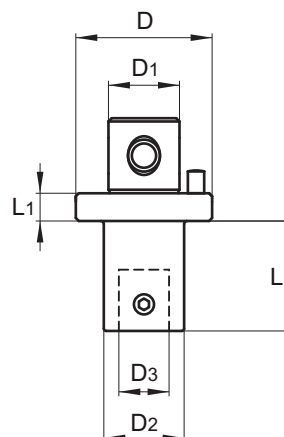
Dimension				Product Number	Kg.	Coupling Screw
øD	øD1	øD2	L			
54	28	28	50	P 54 50	0.900	54-1220
54	28	28	75	P 54 75	1.330	54-1220

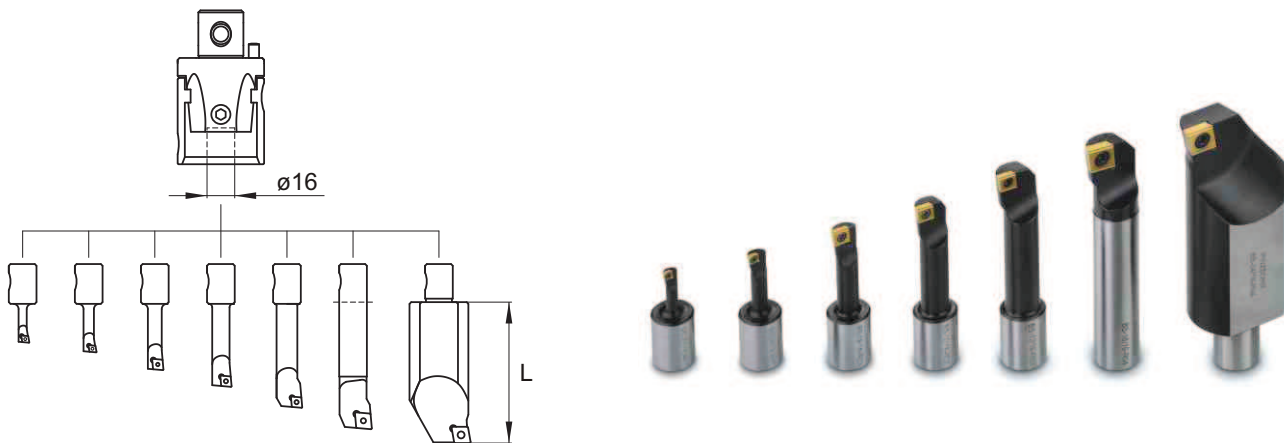


REDUCERS

TO USE ON BIGGER DIAMETER PINZBOHR ARBORS

Dimension						Product Number	Kg.	Coupling Screw
øD	øD1	øD2	øD3	L	L1			
68	36	54	28	60	12	R 68 54 72	1.520	54-1220
85	50	54	28	78	12	R 85 54 90	2.460	54-1220





RHOMBIC INSERT

Bore Range		L	Product Number	Insert	Kg.	Clamp Screw	Clamp Key
Min	Max						
6	28	20	BS 05 16 R01	EPGT 0401..L	0.045	M2X3.3	TK 06
8	30	25	BS 06 16 R01	EPGT 0401..L	0.046	M2X4	TK 06
8	30	25	BS 06 16 R02	EPMT 0502..	0.046	M2.2X5.6	TK 07
10	32	35	BS 08 16 R03	CCMT 0602..	0.054	M2.5X4.8	TK 08
13	35	45	BS 10 16 R03	CCMT 0602..	0.068	M2.5X6	TK 08
16	38	57	BS 12 16 R03	CCMT 0602..	0.090	M2.5X6	TK 08
20	43	73	BS 16 16 R04	CCMT 09T3..	0.145	M4X8.5	TK 15
38	59	82	BS 34 16 R04	CCMT 09T3..	0.450	M4X8.5	TK 15

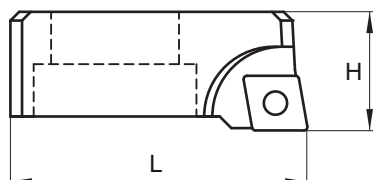
TRIANGULAR INSERT

Bore Range		L	Product Number	Insert	Kg.	Clamp Screw	Clamp Key
Min	Max						
8	30	25	BS 06 16 T01	TCMT 06T1..	0.046	M2X4.9	TK 06
10	32	35	BS 08 16 T01	TCMT 06T1..	0.054	M2X4.9	TK 06
13	35	45	BS 10 16 T02	TCMT 0902..	0.068	M2.2X6.4	TK 07
16	38	57	BS 12 16 T02	TCMT 0902..	0.090	M2.2X6.4	TK 07
20	43	73	BS 16 16 T02	TCMT 0902..	0.145	M2.2X6.4	TK 07
38	59	82	BS 34 16 T03	TPMT 1102..	0.450	M2.5X6	TK 08

► All inserts for this programme are available in our stock.

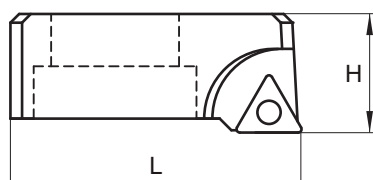
RHOMBIC INSERT

H	L	Product Number	Insert	Kg.	Clamp Screw	Clamp Key
20	51	BS 2CT R04	CCMT 09T3..	0.100	M4X8.5	TK 15



TRIANGULAR INSERT

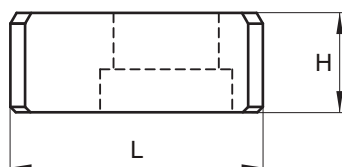
H	L	Product Number	Insert	Kg.	Clamp Screw	Clamp Key
20	51	BS 2CT T03	TPMT 1102..	0.100	M2.5X6	TK 08



► All inserts for this programme are available in our stock.

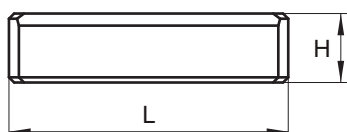
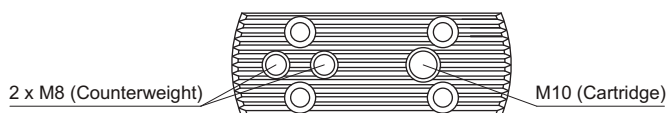
Counterweight

H	L	Product Number	Kg.
18.5	47	BS 2CW	0.110



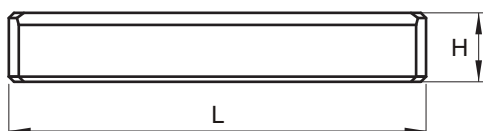
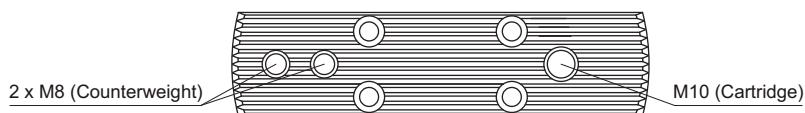
SMALL PLATE

H	L	Product Number	Kg.
20	81	BS SP 85 130	0.105



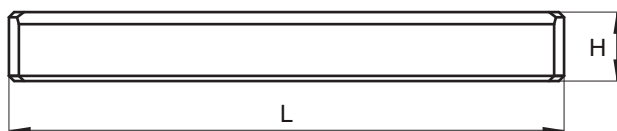
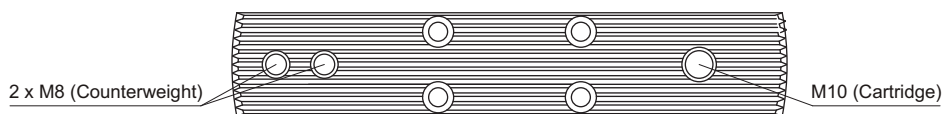
MEDIUM PLATE

H	L	Product Number	Kg.
20	121	BS SP 125 170	0.170



LARGE PLATE

H	L	Product Number	Kg.
20	161	BS SP 165 210	0.230





*Several hole solutions
with only one boring head*

Distributed by: