



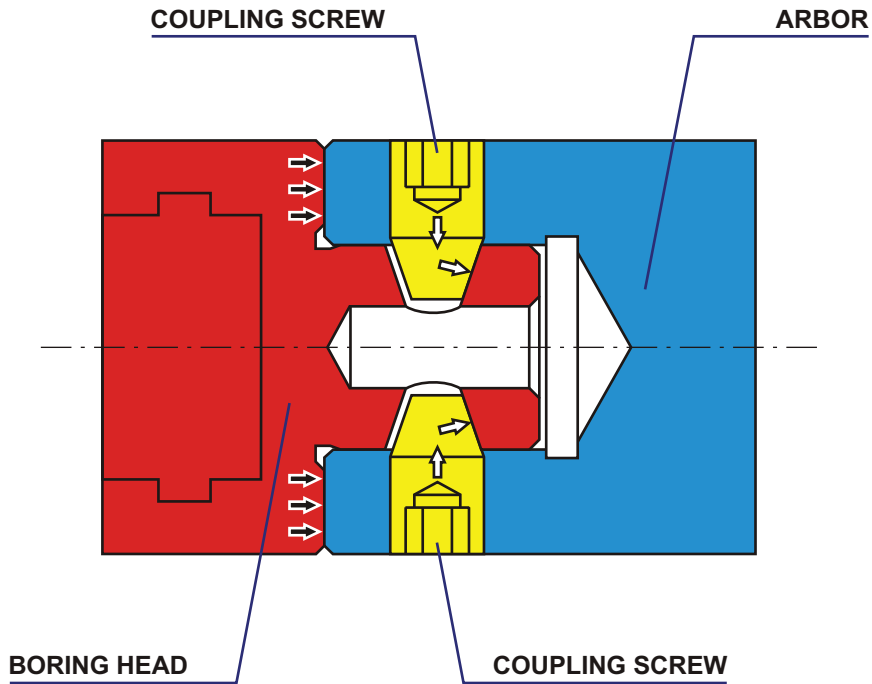
# Bohrstar 54



**BORING KITS** from  $\varnothing 6$  mm up to 210 mm



# Coupling system



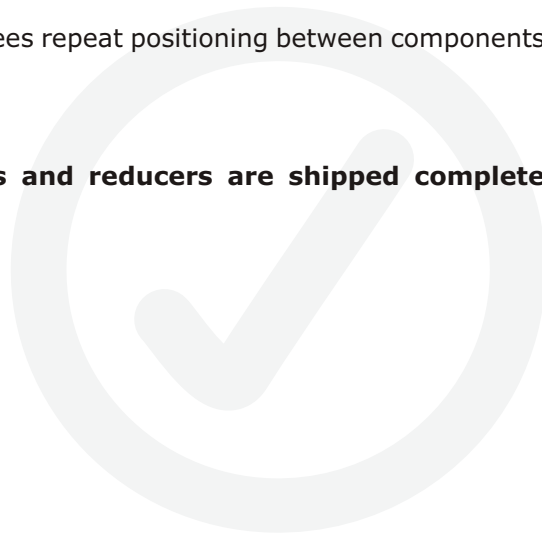
## HIGH RIGIDITY

By tightening the two cone shaped coupling screws, high axial forces are developed in the tapered holes of the pilot shank. These axial forces preload the contact surface between the flange faces of the coupled components with high axial pressure for ample support against lateral loads. It can also dampen vibrations.

## POSITIVE TOOL ORIENTATION

The locating pin guarantees repeat positioning between components at all times.

**All arbors, extensions and reducers are shipped complete with coupling screws.**

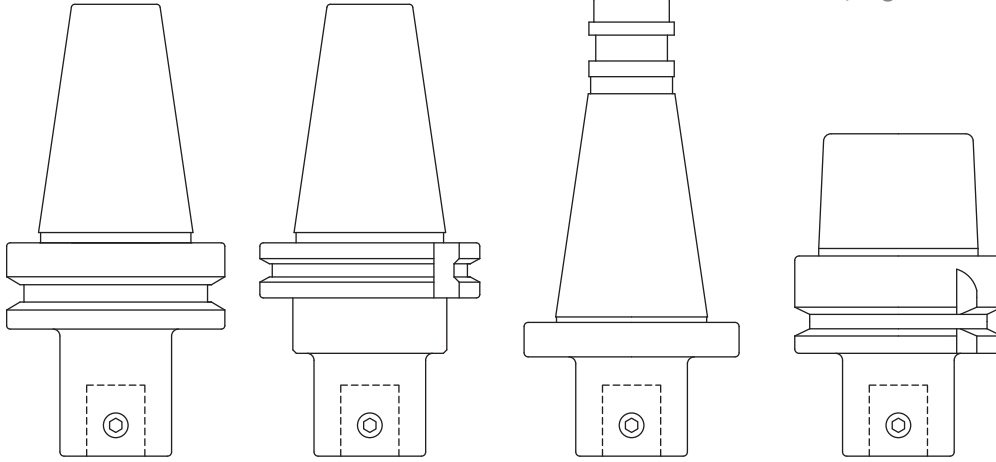


MAS BT 403  
*page 16*

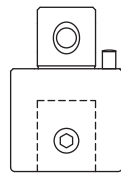
DIN 69871  
*page 17*

DIN 2080  
*page 18*

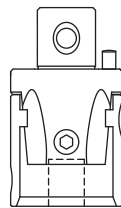
DIN 69893  
HSK - A  
*page 19*



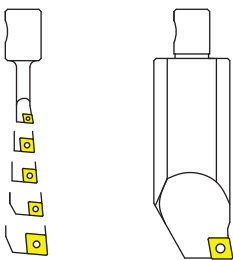
ACCESSORIES  
*page 20*



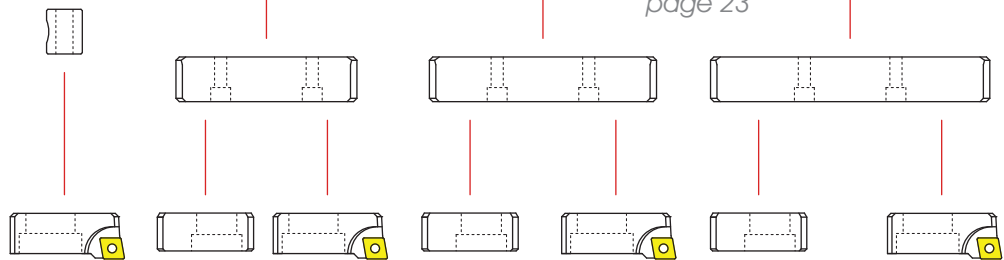
BORING HEAD  
*page 20*



BORING BARS  
*page 21*



ALUMINIUM PLATES  
*page 23*



CARTRIDGES  
*page 22*

# Bohrstar 54 KIT

Triangular insert 

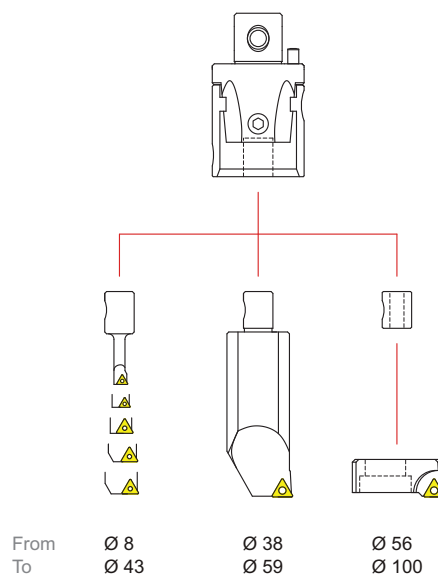
Ø 8 - 100



**ORDERING NUMBER:**  
**BS 54 KIT T 8-100**

	Description	Product Number	Qty.
1	Bohrstar head	BS 54 16	1
	Boring bar 6 mm.	BS 06 16 T01	1
	Boring bar 8 mm.	BS 08 16 T01	1
2	Boring bar 10 mm.	BS 10 16 T02	1
	Boring bar 12 mm.	BS 12 16 T02	1
	Boring bar 16 mm.	BS 16 16 T02	1
3	Boring bar 34 mm.	BS 34 16 T03	1
4	Cartridge	BS 2CT T03	1
5	Location sleeve	BS 16 M10	1

	Description	Product Number	Qty.
	Hexagonal key 3	HK 03	1
6	Hexagonal key 5	HK 05	1
	Hexagonal key 6	HK 06	1
	Hexagonal key 8	HK 08	1
	Torx key 6	TK 06	1
7	Torx key 7	TK 07	1
	Torx key 8	TK 08	1
8	Cartridge screw	CS 10 25	1



## MAS BT 403

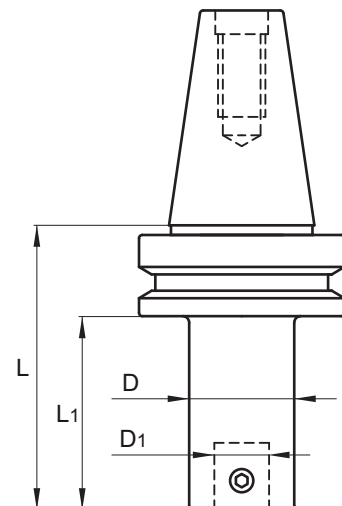


### ISO 40

Dimension				Product Number	Kg.	Coupling Screw
$\varnothing D$	$\varnothing D_1$	L	L <sub>1</sub>			
54	28	54	27	<b>BT 340 54 90</b>	1.360	54-1220
54	28	124	97	<b>BT 340 54 160</b>	2.630	54-1220
54	28	164	137	<b>BT 340 54 200</b>	3.400	54-1220

### ISO 50

Dimension				Product Number	Kg.	Coupling Screw
$\varnothing D$	$\varnothing D_1$	L	L <sub>1</sub>			
54	28	65	27	<b>BT 350 54 90</b>	4.100	54-1220
54	28	135	97	<b>BT 350 54 160</b>	5.400	54-1220
54	28	175	137	<b>BT 350 54 200</b>	6.110	54-1220



**DIN 69871**

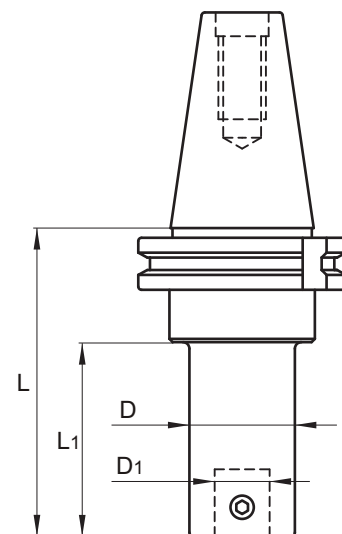


## ISO 40

Dimension				Product Number	Kg.	Coupling Screw
øD	øD1	L	L1			
54	28	76	57	<b>AS 340 54 120</b>	1.630	54-1220
54	28	116	97	<b>AS 340 54 160</b>	2.350	54-1220
54	28	156	137	<b>AS 340 54 200</b>	3.120	54-1220

## ISO 50

Dimension				Product Number	Kg.	Coupling Screw
øD	øD1	L	L1			
54	28	62	27	<b>AS 350 54 90</b>	3.550	54-1220
54	28	132	97	<b>AS 350 54 160</b>	4.840	54-1220
54	28	172	137	<b>AS 350 54 200</b>	5.570	54-1220



## DIN 2080

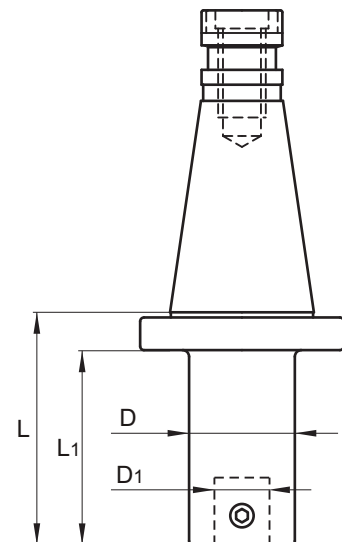
OTT

## ISO 40

Dimension				Product Number	Kg.	Coupling Screw
$\varnothing D$	$\varnothing D_1$	L	L <sub>1</sub>			
54	28	39	27	<b>OTT 340 54 90</b>	1.150	54-1220
54	28	109	97	<b>OTT 340 54 160</b>	2.380	54-1220
54	28	149	137	<b>OTT 340 54 200</b>	3.150	54-1220

## ISO 50

Dimension				Product Number	Kg.	Coupling Screw
$\varnothing D$	$\varnothing D_1$	L	L <sub>1</sub>			
54	28	43	27	<b>OTT 350 54 90</b>	3.100	54-1220
54	28	113	97	<b>OTT 350 54 160</b>	4.400	54-1220
54	28	153	137	<b>OTT 350 54 200</b>	5.100	54-1220



**DIN 69893**



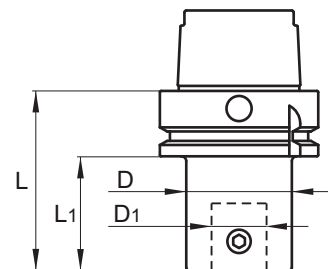
## HSK 63

Dimension				Product Number	Kg.	Coupling Screw
$\varnothing D$	$\varnothing D_1$	L	L <sub>1</sub>			
54	28	70	44	<b>HSK 63A 54 110</b>	1.280	54-1220



## HSK 100

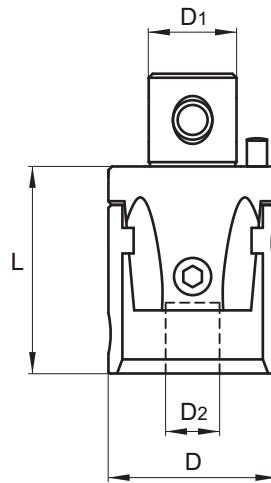
Dimension				Product Number	Kg.	Coupling Screw
$\varnothing D$	$\varnothing D_1$	L	L <sub>1</sub>			
54	28	73	44	<b>HSK 100A 54 110</b>	2.800	54-1220





Adjusting accuracy 0.002 mm Ø

Dimension				Product Number	Kg.
øD	øD1	øD2	L		
54	28	16	53	<b>BS 54 16</b>	1.100

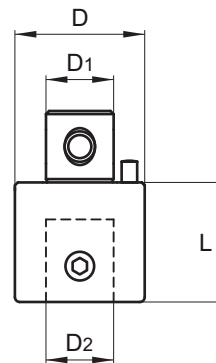


## Accessories (Optional)

### EXTENSIONS

FOR DEEPER HOLE APPLICATIONS

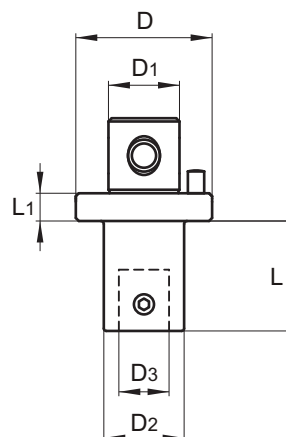
Dimension				Product Number	Kg.	Coupling Screw
øD	øD1	øD2	L			
54	28	28	50	<b>P 54 50</b>	0.900	54-1220
54	28	28	75	<b>P 54 75</b>	1.330	54-1220

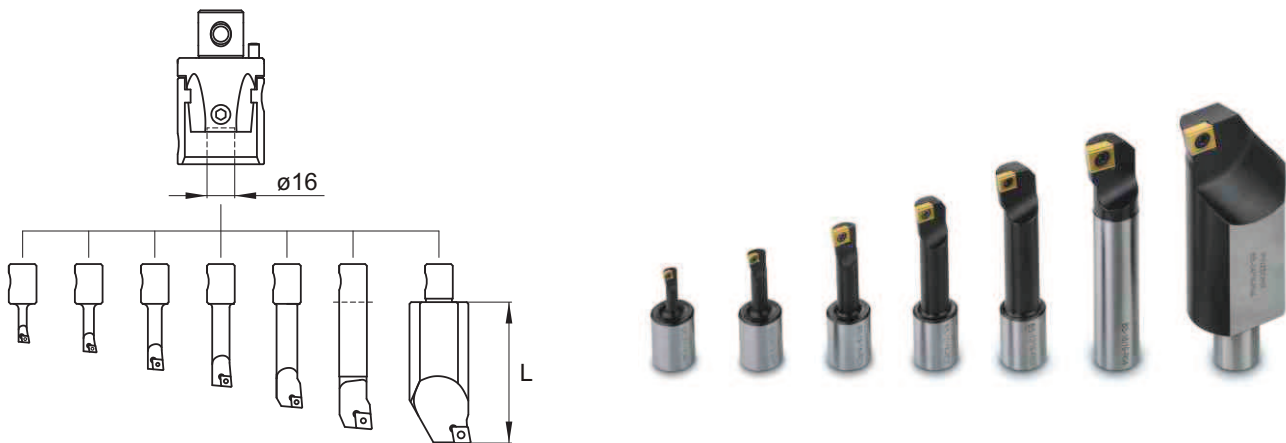


### REDUCERS

TO USE ON BIGGER DIAMETER PINZBOHR ARBORS

Dimension						Product Number	Kg.	Coupling Screw
øD	øD1	øD2	øD3	L	L1			
68	36	54	28	60	12	<b>R 68 54 72</b>	1.520	54-1220
85	50	54	28	78	12	<b>R 85 54 90</b>	2.460	54-1220





## RHOMBIC INSERT

Bore Range		L	Product Number	Insert	Kg.	Clamp Screw	Clamp Key
Min	Max						
6	28	20	<b>BS 05 16 R01</b>	EPGT 0401..L	0.045	M2X3.3	TK 06
8	30	25	<b>BS 06 16 R01</b>	EPGT 0401..L	0.046	M2X4	TK 06
8	30	25	<b>BS 06 16 R02</b>	EPMT 0502..	0.046	M2.2X5.6	TK 07
10	32	35	<b>BS 08 16 R03</b>	CCMT 0602..	0.054	M2.5X4.8	TK 08
13	35	45	<b>BS 10 16 R03</b>	CCMT 0602..	0.068	M2.5X6	TK 08
16	38	57	<b>BS 12 16 R03</b>	CCMT 0602..	0.090	M2.5X6	TK 08
20	43	73	<b>BS 16 16 R04</b>	CCMT 09T3..	0.145	M4X8.5	TK 15
38	59	82	<b>BS 34 16 R04</b>	CCMT 09T3..	0.450	M4X8.5	TK 15

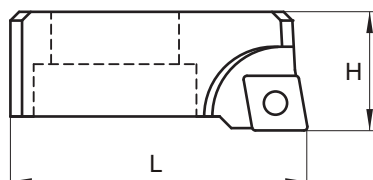
## TRIANGULAR INSERT

Bore Range		L	Product Number	Insert	Kg.	Clamp Screw	Clamp Key
Min	Max						
8	30	25	<b>BS 06 16 T01</b>	TCMT 06T1..	0.046	M2X4.9	TK 06
10	32	35	<b>BS 08 16 T01</b>	TCMT 06T1..	0.054	M2X4.9	TK 06
13	35	45	<b>BS 10 16 T02</b>	TCMT 0902..	0.068	M2.2X6.4	TK 07
16	38	57	<b>BS 12 16 T02</b>	TCMT 0902..	0.090	M2.2X6.4	TK 07
20	43	73	<b>BS 16 16 T02</b>	TCMT 0902..	0.145	M2.2X6.4	TK 07
38	59	82	<b>BS 34 16 T03</b>	TPMT 1102..	0.450	M2.5X6	TK 08

► All inserts for this programme are available in our stock.

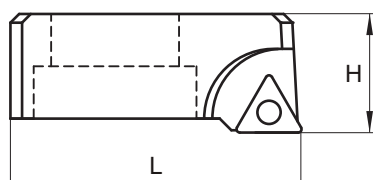
## RHOMBIC INSERT

H	L	Product Number	Insert	Kg.	Clamp Screw	Clamp Key
20	51	<b>BS 2CT R04</b>	CCMT 09T3..	0.100	M4X8.5	TK 15



## TRIANGULAR INSERT

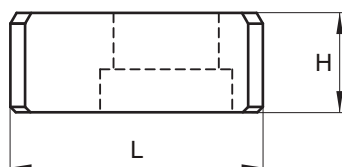
H	L	Product Number	Insert	Kg.	Clamp Screw	Clamp Key
20	51	<b>BS 2CT T03</b>	TPMT 1102..	0.100	M2.5X6	TK 08



► All inserts for this programme are available in our stock.

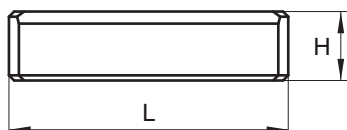
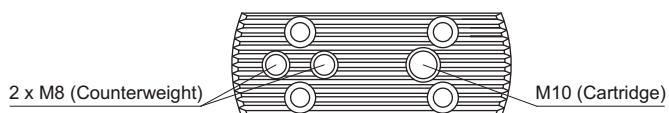
# Counterweight

H	L	Product Number	Kg.
18.5	47	<b>BS 2CW</b>	0.110



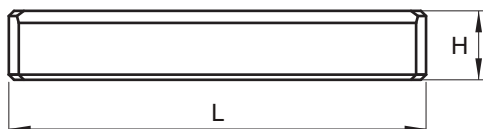
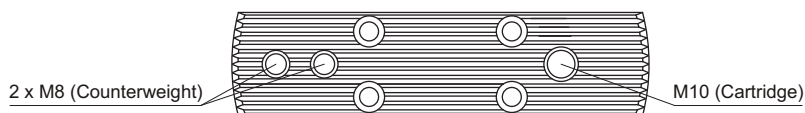
## SMALL PLATE

H	L	Product Number	Kg.
20	81	<b>BS SP 85 130</b>	0.105



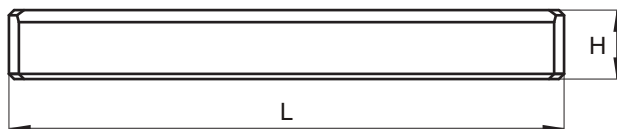
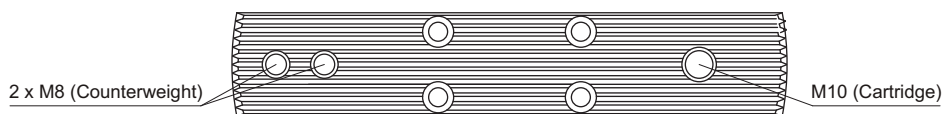
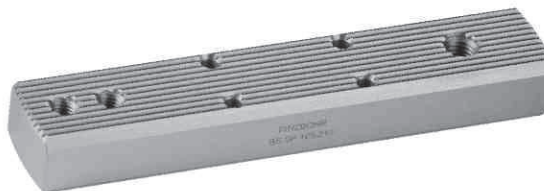
## MEDIUM PLATE

H	L	Product Number	Kg.
20	121	<b>BS SP 125 170</b>	0.170



## LARGE PLATE

H	L	Product Number	Kg.
20	161	<b>BS SP 165 210</b>	0.230





*Several hole solutions  
with only one boring head*

Distributed by: