

# MORSE serie OK OK series VISES

**Una serie di morse per le esigenze più impegnative e per lavori con le tolleranze più ristrette**  
**A series of vises for the highest accuracy operations**

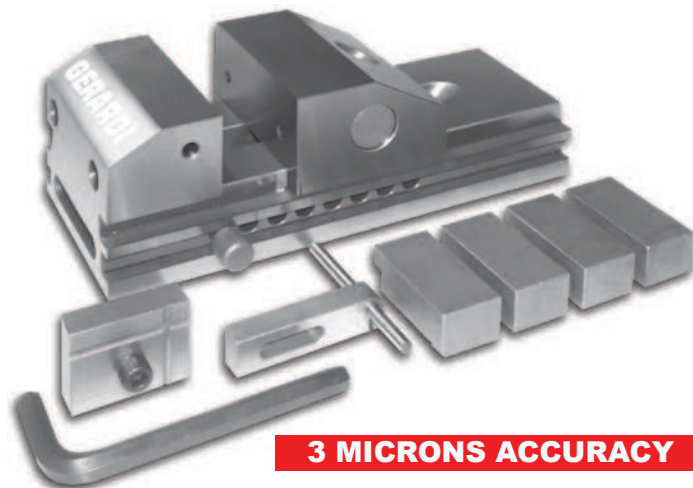
## L'ALTISSIMA PRECISIONE E' OK THE HIGHEST ACCURACY VISE IS OK

Principali caratteristiche delle morse serie OK

- Superfici rettificate, temperate e lappate
- Ortogonalità e parallelismo: 0,003 mm / 100 mm
- Ideali per operazioni di controllo, rettifica, elettroerosione e fresatura

Main OK vises technical features

- All case hardened and hardened HRC 60 steel
- Squareness and parallelism: 0,003 mm / 100 mm
- Ideal for grinding E.D.M. machine and for milling operations also for checking and control

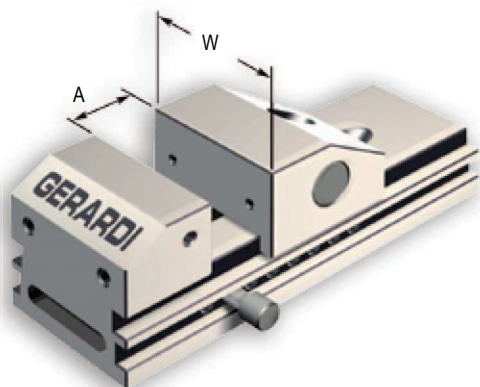


**3 MICRONS ACCURACY**

Tipò (grandezza) morsa / Vise (type) size	kN	0	1	2	3	4	5	6	7	8
				160 kN	160 kN	180 kN	180 kN	180 kN	180 kN	200 kN
Apertura massima / Maximum spread	A	27	80	100	120	160	180	200	260	200
	W	30	60	75	100	125	125	125	125	160
	B	15	28	40	45	50	50	50	50	63
	C	15	28	35	42	50	50	50	50	63
	D	75	175	220	260	330	350	370	430	410
	E	15	40	50	55	65	65	65	65	80
	F	33	55	50	85	105	105	105	110	130
	kg	0,28	2,820	5,820	10,740	19,450	20,080	20,720	26,720	38
	Cod.	3.66.60000	3.66.61000	3.66.62000	3.66.63000	3.66.64000	3.66.65000	3.66.66000	3.66.67000	3.66.68000

### Art. 666

Morsa serie OK in acciaio / Series OK vises in steel



### Art. 666S

Morsa serie OK in acciaio Tipo \*X4 CR14 per elettroerosione. Stesse caratteristiche dell' Art. 666

Series OK vises in steel Type X4 CR14 for E.D.M. machines. Same characteristic and dimension of the Art. 666

\* Acciaio temprato a basso contenuto di ferro (Max resistenza alla corrosione dopo tempra, rinvenimento e rettifica)  
Low carbon hardened steel (max resistance against corrosion after hardening process and grinding operations)

Cod. 3.66.6S000 3.66.6S100 3.66.6S200 3.66.6S300 3.66.6S400 3.66.6S500 3.66.6S600 3.66.6S700 3.66.6S800

Dotazione standard:

- 4 staffe di fissaggio Art. 666O
- 1 arresto laterale fisso Art. 666G ■ 1 arresto laterale mobile Art. 666I

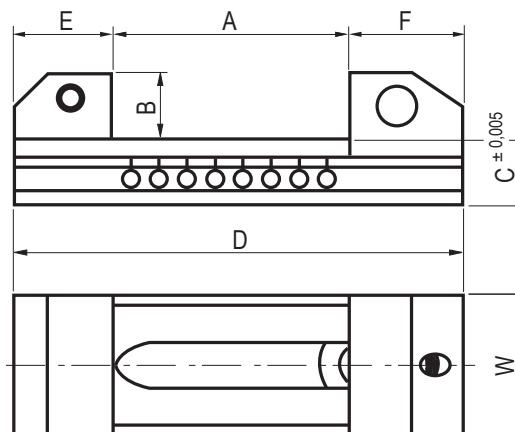
### Art. 666 / Art. 666S



Standard equipment:

- 4 clamping jaws Art. 666O
- 1 fixed work stop Art. 666G ■ 1 movable work stop Art. 666I

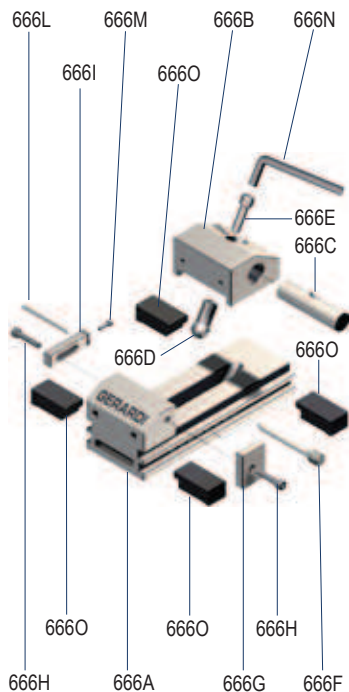
### Art. 666 / Art. 666S



Tipo (grandezza) morsa / Vise (type) size	0	1	2	3	4	5	6	7	8
			160 kN	160 kN	180 kN	180 kN	180 kN	180 kN	200 kN

**Parti di ricambio per Art. 666 / Spare parts for Art. 666**

**Art. 666**

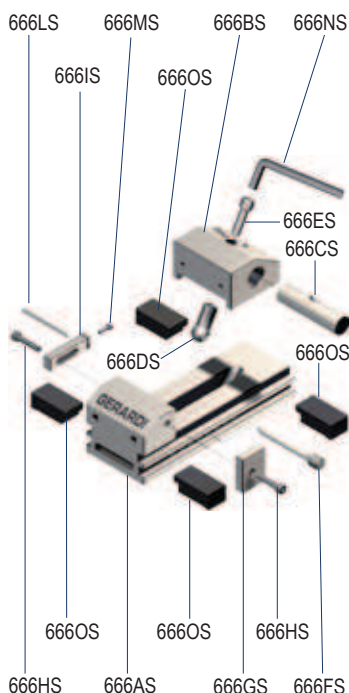


Art. 666A	Cod.	7.66.6A000	7.66.6A100	7.66.6A200	7.66.6A300	7.66.6A400	7.66.6A500	7.66.6A600	7.66.6A700	7.66.6A800
Art. 666B	Cod.	7.66.6B000	7.66.6B100	7.66.6B200	7.66.6B300	7.66.6B400	7.66.6B500	7.66.6B600	7.66.6B700	7.66.6B800
Art. 666C	Cod.	7.66.6C000	7.66.6C100	7.66.6C200	7.66.6C300	7.66.6C400	7.66.6C500	7.66.6C600	7.66.6C700	7.66.6C800
Art. 666D	Cod.	7.66.6D000	7.66.6D100	7.66.6D200	7.66.6D300	7.66.6D400	7.66.6D500	7.66.6D600	7.66.6D700	7.66.6D800
Art. 666E	Cod.	7.66.6E000	7.66.6E100	7.66.6E200	7.66.6E300	7.66.6E400	7.66.6E500	7.66.6E600	7.66.6E700	7.66.6E800
Art. 666F	Cod.	7.66.6F000	7.66.6F100	7.66.6F200	7.66.6F300	7.66.6F400	7.66.6F500	7.66.6F600	7.66.6F700	7.66.6F800
Art. 666G	Cod.	7.66.6G000	7.66.6G100	7.66.6G200	7.66.6G300	7.66.6G400	7.66.6G500	7.66.6G600	7.66.6G700	7.66.6G800
Art. 666H	Cod.	7.66.6H000	7.66.6H100	7.66.6H200	7.66.6H300	7.66.6H400	7.66.6H500	7.66.6H600	7.66.6H700	7.66.6H800
Art. 666I	Cod.	7.66.6I000	7.66.6I100	7.66.6I200	7.66.6I300	7.66.6I400	7.66.6I500	7.66.6I600	7.66.6I700	7.66.6I800
Art. 666L	Cod.	7.66.6L000	7.66.6L100	7.66.6L200	7.66.6L300	7.66.6L400	7.66.6L500	7.66.6L600	7.66.6L700	7.66.6L800
Art. 666M	Cod.	7.66.6M000	7.66.6M100	7.66.6M200	7.66.6M300	7.66.6M400	7.66.6M500	7.66.6M600	7.66.6M700	7.66.6M800
Art. 666N	Cod.	7.66.6N000	7.66.6N100	7.66.6N200	7.66.6N300	7.66.6N400	7.66.6N500	7.66.6N600	7.66.6N700	7.66.6N800
Art. 666O	Cod.	7.66.6O000	7.66.6O100	7.66.6O200	7.66.6O300	7.66.6O400	7.66.6O500	7.66.6O600	7.66.6O700	7.66.6O800

Tipo (grandezza) morsa / Vise (type) size	0	1	2	3	4	5	6	7	8
			160 kN	160 kN	180 kN	180 kN	180 kN	180 kN	200 kN

**Parti di ricambio in acciaio inox per Art. 666S / Spare parts in stainless steel for Art. 666S**

**Art. 666S**



Art. 666AS	Cod.	7.66.6AS00	7.66.6AS10	7.66.6AS20	7.66.6AS30	7.66.6AS40	7.66.6AS50	7.66.6AS60	7.66.6AS70	7.66.6AS80
Art. 666BS	Cod.	7.66.6BS00	7.66.6BS10	7.66.6BS20	7.66.6BS30	7.66.6BS40	7.66.6BS50	7.66.6BS60	7.66.6BS70	7.66.6BS80
Art. 666CS	Cod.	7.66.6CS00	7.66.6CS10	7.66.6CS20	7.66.6CS30	7.66.6CS40	7.66.6CS50	7.66.6CS60	7.66.6CS70	7.66.6CS80
Art. 666DS	Cod.	7.66.6DS00	7.66.6DS10	7.66.6DS20	7.66.6DS30	7.66.6DS40	7.66.6DS50	7.66.6DS60	7.66.6DS70	7.66.6DS80
Art. 666ES	Cod.	7.66.6ES00	7.66.6ES10	7.66.6ES20	7.66.6ES30	7.66.6ES40	7.66.6ES50	7.66.6ES60	7.66.6ES70	7.66.6ES80
Art. 666FS	Cod.	7.66.6FS00	7.66.6FS10	7.66.6FS20	7.66.6FS30	7.66.6FS40	7.66.6FS50	7.66.6FS60	7.66.6FS70	7.66.6FS80
Art. 666GS	Cod.	7.66.6GS00	7.66.6GS10	7.66.6GS20	7.66.6GS30	7.66.6GS40	7.66.6GS50	7.66.6GS60	7.66.6GS70	7.66.6GS80
Art. 666HS	Cod.	7.66.6HS00	7.66.6HS10	7.66.6HS20	7.66.6HS30	7.66.6HS40	7.66.6HS50	7.66.6HS60	7.66.6HS70	7.66.6HS80
Art. 666IS	Cod.	7.66.6IS00	7.66.6IS10	7.66.6IS20	7.66.6IS30	7.66.6IS40	7.66.6IS50	7.66.6IS60	7.66.6IS70	7.66.6IS80
Art. 666LS	Cod.	7.66.6LS00	7.66.6LS10	7.66.6LS20	7.66.6LS30	7.66.6LS40	7.66.6LS50	7.66.6LS60	7.66.6LS70	7.66.6LS80
Art. 666MS	Cod.	7.66.6MS00	7.66.6MS10	7.66.6MS20	7.66.6MS30	7.66.6MS40	7.66.6MS50	7.66.6MS60	7.66.6MS70	7.66.6MS80
Art. 666NS	Cod.	7.66.6NS00	7.66.6NS10	7.66.6NS20	7.66.6NS30	7.66.6NS40	7.66.6NS50	7.66.6NS60	7.66.6NS70	7.66.6NS80
Art. 666OS	Cod.	7.66.6OS00	7.66.6OS10	7.66.6OS20	7.66.6OS30	7.66.6OS40	7.66.6OS50	7.66.6OS60	7.66.6OS70	7.66.6OS80

**SERRAGGIO MECCANICO CON CHIAVE DINAMOMETRICA**

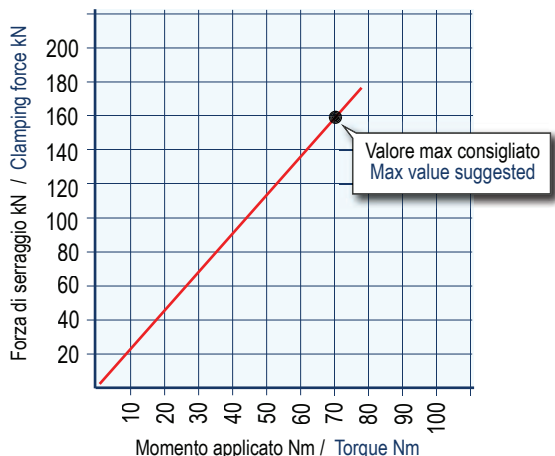
**MECHANICAL CLAMPING WITH TORQUE WRENCH**

I diagrammi seguenti consentono di determinare le forze di serraggio ottenibili con le morse di varia grandezza (da 2 a 8), in funzione del momento applicato

The following diagrams give the clamping force that can be obtained with each vise type (size 2 to 8) depending on the torque

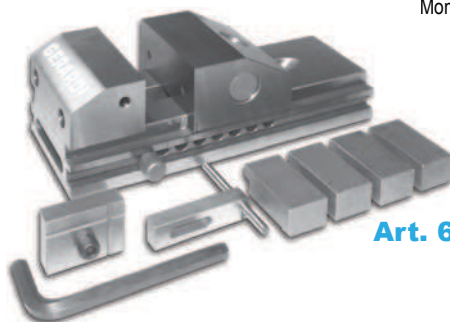
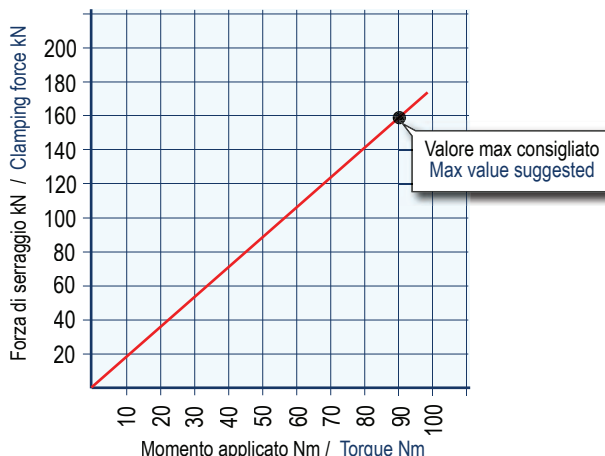
**MORSE OK TIPO 2**  
**OK VISES TYPE 2**

Chiave dinamometrica BETA 610/10X  
Torque wrench BETA 610/10X



**MORSE OK TIPO 3**  
**OK VISES TYPE 3**

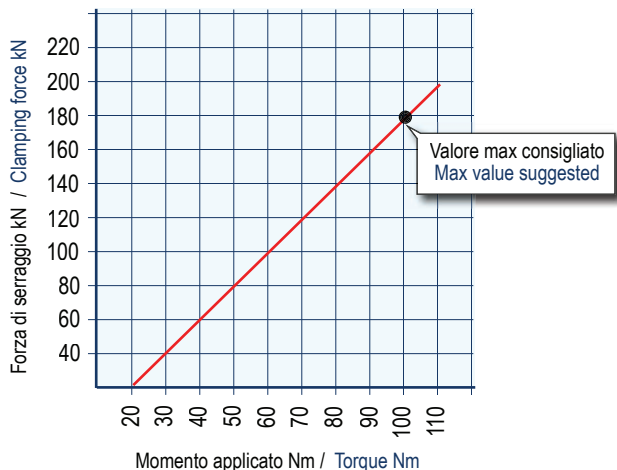
Chiave dinamometrica BETA 610/10X  
Torque wrench BETA 610/10X



**Art. 666 - Art. 666S**

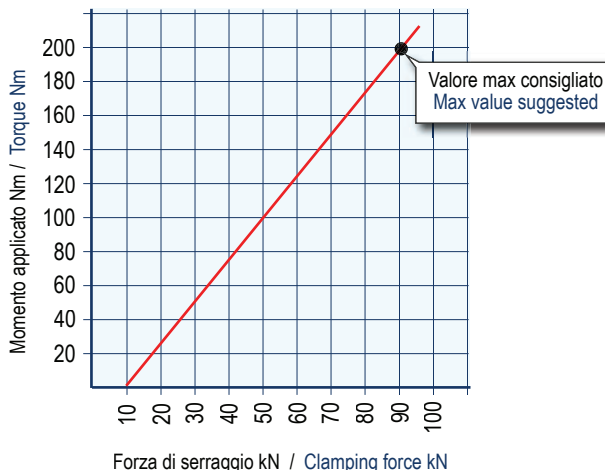
**MORSE OK TIPO 4-5-6-7**  
**OK VISES TYPE 4-5-6-7**

Chiave dinamometrica BETA 610/10X  
Torque wrench BETA 610/10X



**MORSE OK TIPO 8**  
**OK VISES TYPE 8**

Chiave dinamometrica BETA 610/10X  
Torque wrench BETA 610/10X



NB: Alcuni fattori, come la lubrificazione, lo staffaggio, gli attriti ed altro, possono modificare i valori indicati fino a  $\pm 10\%$ .  
Per un corretto utilizzo non superare i valori indicati nel grafico

Some factor as lubrication, clamping on the machine table, frictions and more can modify above values within a  $\pm 10\%$  range.  
For optimum operation do not exceed chart values.