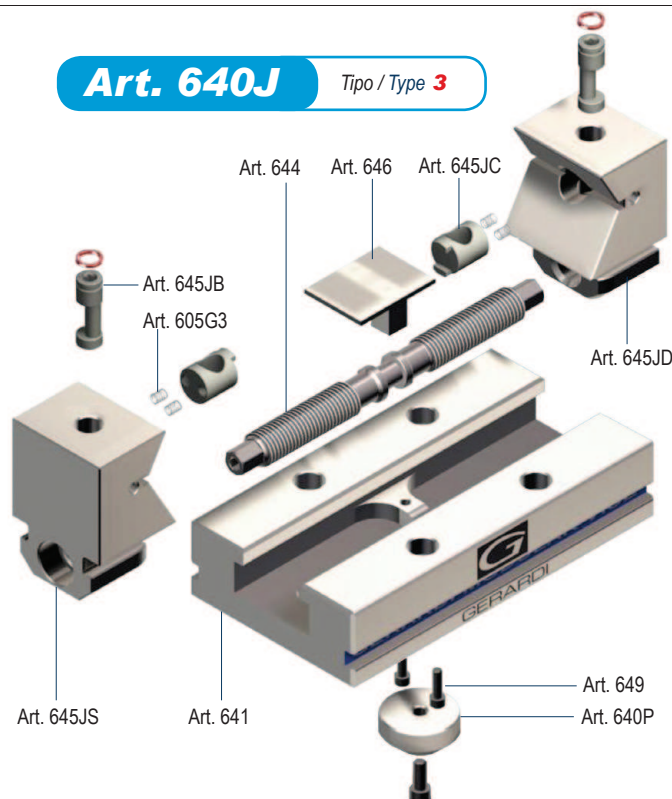


**Art. 640J** Tipo / Type **1 e 2**



**Art. 640J** Tipo / Type **3**



Tipo / Type	1	2
-------------	---	---

**Art. 641**

Corpo base  
Base body

Cod.	6.64.11000	6.64.21000
€	<b>449</b>	<b>524</b>

**Art. 644**

Vite di bloccaggio  
Main screw

Cod.	6.64.41000	6.64.442000
€	<b>140</b>	<b>170</b>

**Art. 645JD** \*

Ganascia integrale prismatica dx  
Solid prismatic right jaw

Cod.	7.64.5JD10	7.64.5JD20
€	<b>185</b>	<b>235</b>

**Art. 645JS** \*

Ganascia integrale prismatica sx  
Solid prismatic left jaw

Cod.	7.64.5JS10	7.64.5JS20
€	<b>185</b>	<b>235</b>

**Art. 646**

Forcella  
Yoke

Cod.	6.64.61000	6.64.462000
€	<b>151</b>	<b>199</b>

**Art. 649**

VTCEI per forcella  
Hex socketed head crew for yoke

Cod.	6.64.91000	6.64.492000
€	<b>3</b>	<b>3</b>

**Art. 640P**

Perno di posizionamento  
Positioning pin

Cod.	6.64.0P100	6.64.0P200
€	<b>20</b>	<b>25</b>

\*

**Art. 645JD** + **Art. 645JS** = **Art. 655J**

Tipo / Type	3 x 166	3 x 266
-------------	---------	---------

**Art. 641**

Corpo base  
Base body

Cod.	7.64.13166	7.64.13266
€	<b>620</b>	<b>720</b>

**Art. 644**

Vite di bloccaggio  
Main screw

Cod.	7.64.43166	7.64.43266
€	<b>200</b>	<b>210</b>

**Art. 645JD** \*

Ganascia integrale prismatica dx  
Solid prismatic right jaw

Cod.	7.64.5JD31	7.64.5JD32
€	<b>285</b>	<b>295</b>

**Art. 645JS** \*

Ganascia integrale prismatica sx  
Solid prismatic left jaw

Cod.	7.64.5JS31	7.64.5JS32
€	<b>285</b>	<b>295</b>

**Art. 646**

Forcella  
Yoke

Cod.	7.64.63166	7.64.63266
€	<b>220</b>	<b>220</b>

**Art. 645JB**

Perno eccentrico  
Eccentric pin

Cod.	7.64.5JB30
€	<b>20</b>

**Art. 645JC**

Tirante piastra  
Pull-stud plate

Cod.	7.64.5JC30
€	<b>20</b>

**Art. 649**

VTCEI per forcella  
Hex socketed head crew for yoke

Cod.	7.64.93000
€	<b>3</b>

**Art. 640P**

Perno di posizionamento  
Positioning pin

Cod.	7.64.0P000
€	<b>30</b>