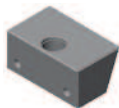


Tipo (grandezza) morsa / Vise (type) size

1 2 3

Art. 605B

Cuneo di spinta
Clamping wedge



Art. 605BT

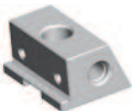
Cuneo di spinta per piastra **GRIP**
Clamping wedge for **GRIP** plate



Cod. Art. 605B	6.60.5B100	6.60.5B200	6.60.5B300
Cod. Art. 605BT	6.60.5BT10	6.60.5BT20	6.60.5BT30

Art. 609A

Cuneo di posizionamento con gradino
Positioning wedge with step



Art. 609AT

Cuneo di posizionamento **GRIP**
Positioning **GRIP** wedge



Cod. Art. 609A	6.60.9A100	6.60.9A200	6.60.9A300
Cod. Art. 609AT	6.60.9AT10	6.60.9AT20	6.60.9AT30

Art. 609B

Ganascia mobile guidata con gradino
Movable guided jaw with step



Art. 609BT

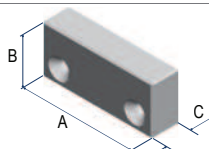
Ganascia mobile guidata **GRIP**
Movable guided **GRIP** jaw



Cod. Art. 609B	6.60.9B100	6.60.9B200	6.60.9B300
Cod. Art. 609BT	6.60.9BT10	6.60.9BT20	6.60.9BT30

Art. 610B

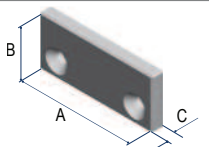
Piastra ganascia dolce
Soft jaw plate



A	48	73	98
B	20	32	50
C	12	18	30
Cod.	6.61.0B100	6.61.0B200	6.61.0B300

Art. 610C

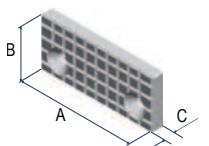
Piastra ganascia liscia
Smooth jaw plate



A	48	73	98
B	20	32	50
C	6	10	10
Cod.	6.61.0C100	6.61.0C200	6.61.0C300

Art. 610D

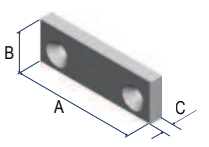
Piastra ganascia zigrinata
Serrated jaw plate



A	48	73	98
B	20	32	50
C	6	10	10
Cod.	6.61.0D100	6.61.0D200	6.61.0D300

Art. 610E

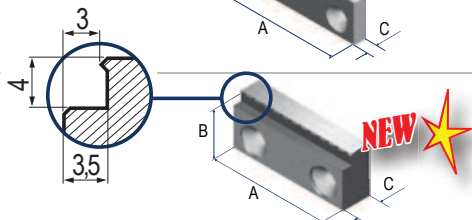
Piastra ganascia parallela
Parallel jaw plate



A	48	73	98
B	15	27	45
C	6	10	10
Cod.	6.61.0E100	6.61.0E200	6.61.0E300

Art. 610T

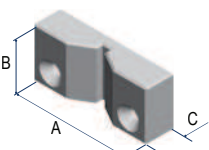
Piastra ganascia **GRIP** a forte serraggio
GRIP jaw plate for strongest clamping



A	48	73	98
B	20	32	50
C	8	10	10
Cod.	6.61.0T100	6.61.0T200	6.61.0T300

Art. 610F

Piastra ganascia prismatica
Prismatic jaw plate



∅	5 + 35	9 + 50	20 + 80
A	48	73	98
B	20	32	50
C	12	18	30
Cod.	6.61.0F100	6.61.0F200	6.61.0F300

Art. 610Z

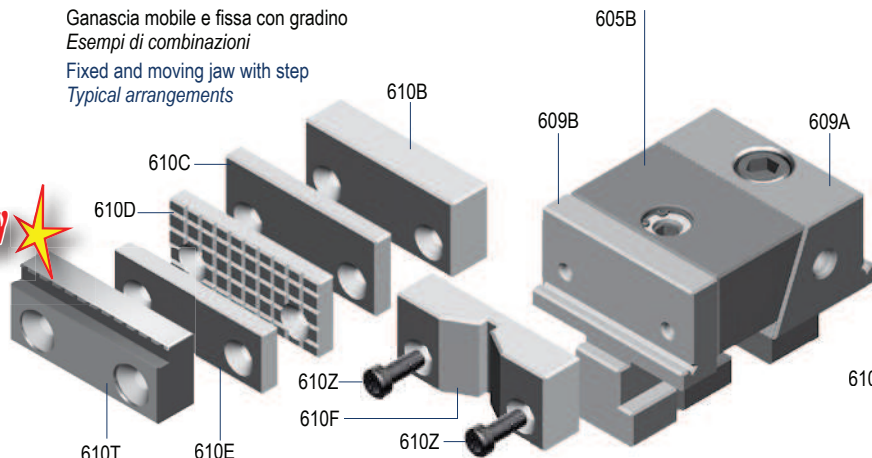
Vite per piastre ganasce
Screw for jaw plates



Cod.	6.61.0Z100	6.61.0Z200	6.61.0Z300
------	------------	------------	------------

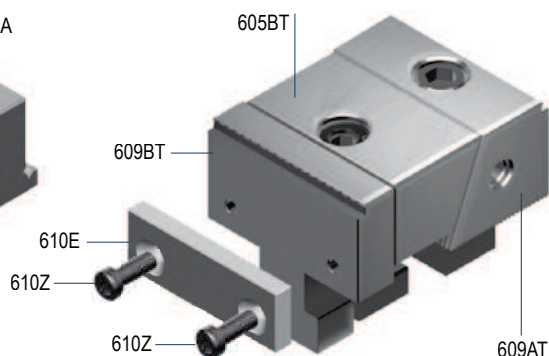
Art. 609

Ganascia mobile e fissa con gradino
Esempi di combinazioni
Fixed and moving jaw with step
Typical arrangements



Art. 609T

Ganascia fissa e mobile **GRIP**
Fixed and movable **GRIP** jaw



NEW ★