

Tipo (grandezza) morsa / Vise (type) size

1

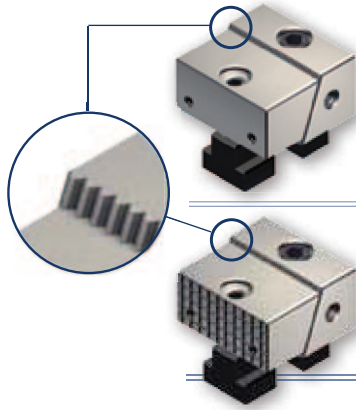
2

3

**Art. 605**

Ganascia fissa e mobile liscia per morsa Art. 600  
Fixed and movable smooth jaws for vise Art. 600

Ganascia discendente guidata / Sistema a pettine (Particolare)  
Guided pull down jaw / Comb system (Detail)



kg	0.6	1.8	4.7
Cod.	6.60.51000	6.60.52000	6.60.53000

**Art. 605S**

Ganascia fissa e mobile zigrinata per morsa Art. 600  
Fixed and movable serrated jaws Art. 600

kg	0.6	1.8	4.7
Cod.	6.60.5S100	6.60.5S200	6.60.5S300

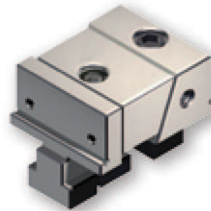
**Art. 605W**

Ganascia fissa zigrinata e mobile liscia per morsa Art. 600  
Serrated fixed jaw and movable smooth for vise Art. 600

Cod.	6.60.5W100	6.60.5W200	6.60.5W300
------	------------	------------	------------

**Art. 609**

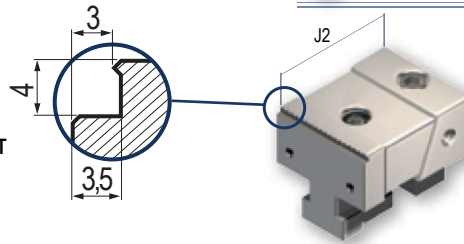
Ganascia fissa e mobile con gradino per morsa Art. 606  
Fixed and moving jaw with step for vise Art. 606



kg	0.8	2.2	5.5
Cod.	6.60.91000	6.60.92000	6.60.93000

**Art. 609T**

Ganascia fissa e mobile GRIP per morsa Art. 606T  
Fixed and moving GRIP jaw for vise Art. 606T



Cod.	6.60.9T100	6.60.9T200	6.60.9T300
------	------------	------------	------------

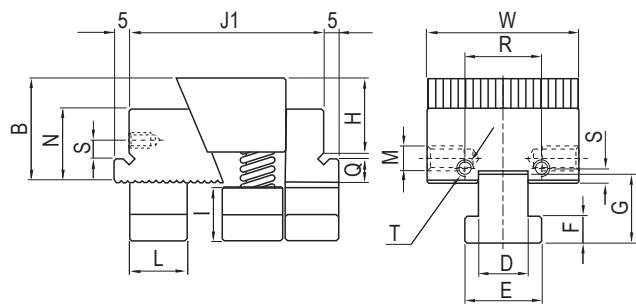
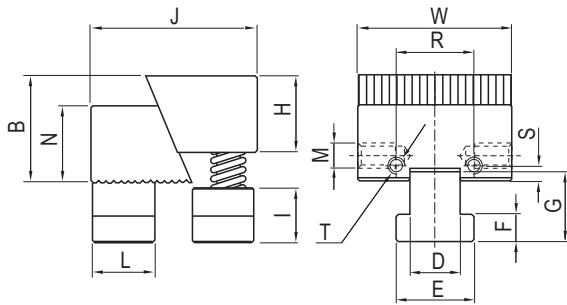
**Art. 605**

**Art. 605S**

**Art. 605W**

**Art. 609**

**Art. 609T**



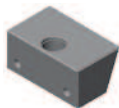
Art.	1	2	3
W	49	74	99
B	35 / 25	40	60
D	14	22	30
E	22	35	48
F	8	14	21
G	25	33	46
H	25	34	50
I	18	26	42
J	54 / 58	70 / 75	94,5 / 98,5
J1	65 / 68	83 / 88	109 / 113
J2	59 / 62	77 / 82	103 / 107
L	22	26	35
M	M10	M10	M10
N	25	40	60
Q	5	8	10
R	30	50	50
S	7	10	10
T	M5	M6	M6

Tipo (grandezza) morsa / Vise (type) size

1 2 3

**Art. 605B**

Cuneo di spinta  
Clamping wedge



**Art. 605BT**

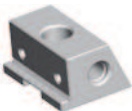
Cuneo di spinta per piastra **GRIP**  
Clamping wedge for **GRIP** plate



Cod. Art. 605B	6.60.5B100	6.60.5B200	6.60.5B300
Cod. Art. 605BT	6.60.5BT10	6.60.5BT20	6.60.5BT30

**Art. 609A**

Cuneo di posizionamento con gradino  
Positioning wedge with step



**Art. 609AT**

Cuneo di posizionamento **GRIP**  
Positioning **GRIP** wedge



Cod. Art. 609A	6.60.9A100	6.60.9A200	6.60.9A300
Cod. Art. 609AT	6.60.9AT10	6.60.9AT20	6.60.9AT30

**Art. 609B**

Ganascia mobile guidata con gradino  
Movable guided jaw with step



**Art. 609BT**

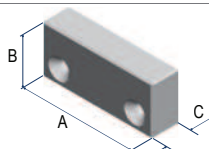
Ganascia mobile guidata **GRIP**  
Movable guided **GRIP** jaw



Cod. Art. 609B	6.60.9B100	6.60.9B200	6.60.9B300
Cod. Art. 609BT	6.60.9BT10	6.60.9BT20	6.60.9BT30

**Art. 610B**

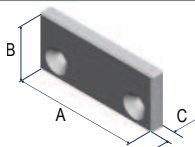
Piastra ganascia dolce  
Soft jaw plate



A	48	73	98
B	20	32	50
C	12	18	30
Cod.	6.61.0B100	6.61.0B200	6.61.0B300

**Art. 610C**

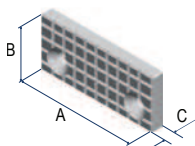
Piastra ganascia liscia  
Smooth jaw plate



A	48	73	98
B	20	32	50
C	6	10	10
Cod.	6.61.0C100	6.61.0C200	6.61.0C300

**Art. 610D**

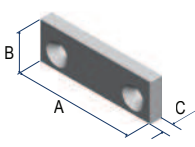
Piastra ganascia zigrinata  
Serrated jaw plate



A	48	73	98
B	20	32	50
C	6	10	10
Cod.	6.61.0D100	6.61.0D200	6.61.0D300

**Art. 610E**

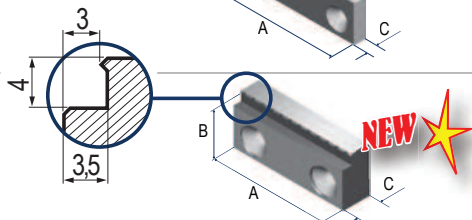
Piastra ganascia parallela  
Parallel jaw plate



A	48	73	98
B	15	27	45
C	6	10	10
Cod.	6.61.0E100	6.61.0E200	6.61.0E300

**Art. 610T**

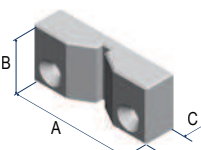
Piastra ganascia **GRIP** a forte serraggio  
**GRIP** jaw plate for strongest clamping



A	48	73	98
B	20	32	50
C	8	10	10
Cod.	6.61.0T100	6.61.0T200	6.61.0T300

**Art. 610F**

Piastra ganascia prismatica  
Prismatic jaw plate



∅	5 + 35	9 + 50	20 + 80
A	48	73	98
B	20	32	50
C	12	18	30
Cod.	6.61.0F100	6.61.0F200	6.61.0F300

**Art. 610Z**

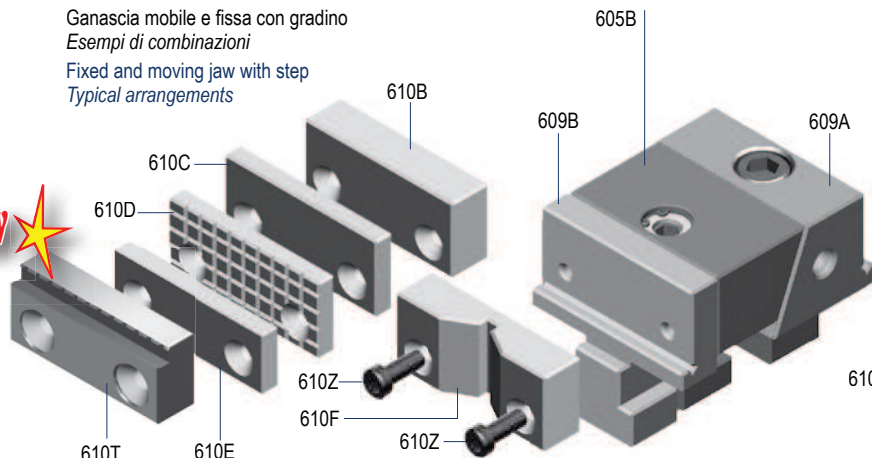
Vite per piastre ganasce  
Screw for jaw plates



Cod.	6.61.0Z100	6.61.0Z200	6.61.0Z300
------	------------	------------	------------

**Art. 609**

Ganascia mobile e fissa con gradino  
*Esempi di combinazioni*  
Fixed and moving jaw with step  
*Typical arrangements*



**Art. 609T**

Ganascia fissa e mobile **GRIP**  
Fixed and movable **GRIP** jaw

