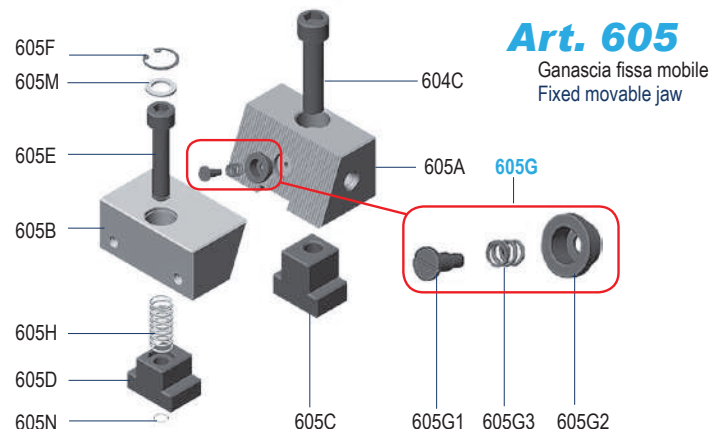
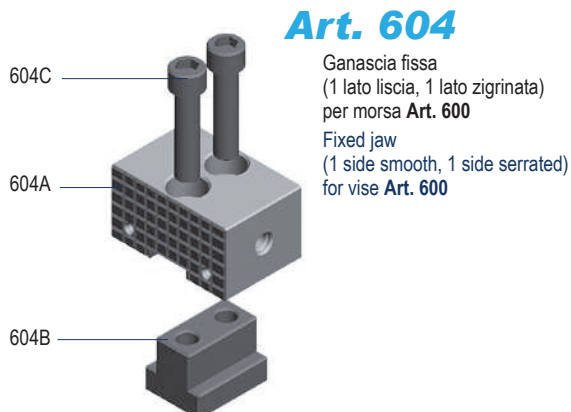


Tipo (grandezza) morsa / Vise (type) size		1	2	3	
Art. 604	Ganascia fissa / Fixed jaws		Cod. 6.60.41000	6.60.42000	6.60.43000
Art. 604A	Ganascia fissa (un lato liscio e uno zigrinato) Fixed jaw (1 side smooth, 1 side serrated)		Cod. 6.60.4A100	6.60.4A200	6.60.4A300
Art. 604B	Dado a "T" per ganascia fissa / "T" nut for fixed jaw		Cod. 6.60.4B100	6.60.4B200	6.60.4B300
Art. 604C	Vite TCEI fissaggio ganascia fissa Hex socket head screw for fixed jaw		Cod. 6.60.4C100	6.60.4C200	6.60.4C300
Art. 605A	Cuneo di posizionamento / Positioning wedge		Cod. 6.60.5A100	6.60.5A200	6.60.5A300
Art. 605AS	Cuneo di posizionamento zigrinato Serrated positioning wedge		Cod. 6.60.5AS10	6.60.5AS20	6.60.5AS30
Art. 605B	Cuneo di spinta / Clamping wedge		Cod. 6.60.5B100	6.60.5B200	6.60.5B300
Art. 605BS	Cuneo di spinta zigrinato / Serrated clamping wedge		Cod. 6.60.5BS10	6.60.5BS20	6.60.5BS30
Art. 605C	Dado a "T" per cuneo di posizionamento "T" nut for positioning wedge		Cod. 6.60.5C100	6.60.5C200	6.60.5C300
Art. 605D	Dado a "T" per cuneo di spinta "T" nut for clamping wedge		Cod. 6.60.5D100	6.60.5D200	6.60.5D300
Art. 605E	Vite TCEI / TCEI screw		Cod. 6.60.5E100	6.60.5E200	6.60.5E300
Art. 605F	Anello elastico / Seeger		Cod. 6.60.5F100	6.60.5F200	6.60.5F300
Art. 605G1	Vite a gradino / Step screw		Cod. 6.60.5G101		6.60.5G103
Art. 605G2	Perno a molla / Spring pin		Cod. 6.60.5G201	6.60.5G202	6.60.5G203
Art. 605G3	Molla / Spring		Cod. 6.60.5G301		6.60.5G303
Art. 605H	Molla / Spring		Cod. 6.60.5H100	6.60.5H200	6.60.5H300
Art. 605I	Cuneo a spinta dolce / Soft clamping wedge		Cod. 6.60.5I100	6.60.5I200	6.60.5I300
Art. 605L	Cuneo di spinta a "V" / "V" clamping wedge		Cod. 6.60.5L100	6.60.5L200	6.60.5L300
Art. 605M	Rondella / Washer		Cod. 6.60.5M100	6.60.5M200	6.60.5M300
Art. 605N	Anello elastico / Seeger		Cod. 6.60.5N100	6.60.5N200	6.60.5N300

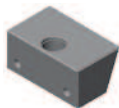


Tipo (grandezza) morsa / Vise (type) size

1 2 3

Art. 605B

Cuneo di spinta
Clamping wedge



Art. 605BT

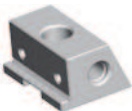
Cuneo di spinta per piastra **GRIP**
Clamping wedge for **GRIP** plate



Cod. Art. 605B	6.60.5B100	6.60.5B200	6.60.5B300
Cod. Art. 605BT	6.60.5BT10	6.60.5BT20	6.60.5BT30

Art. 609A

Cuneo di posizionamento con gradino
Positioning wedge with step



Art. 609AT

Cuneo di posizionamento **GRIP**
Positioning **GRIP** wedge



Cod. Art. 609A	6.60.9A100	6.60.9A200	6.60.9A300
Cod. Art. 609AT	6.60.9AT10	6.60.9AT20	6.60.9AT30

Art. 609B

Ganascia mobile guidata con gradino
Movable guided jaw with step



Art. 609BT

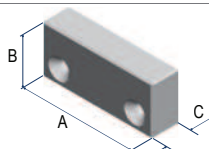
Ganascia mobile guidata **GRIP**
Movable guided **GRIP** jaw



Cod. Art. 609B	6.60.9B100	6.60.9B200	6.60.9B300
Cod. Art. 609BT	6.60.9BT10	6.60.9BT20	6.60.9BT30

Art. 610B

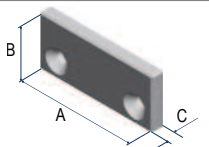
Piastra ganascia dolce
Soft jaw plate



A	48	73	98
B	20	32	50
C	12	18	30
Cod.	6.61.0B100	6.61.0B200	6.61.0B300

Art. 610C

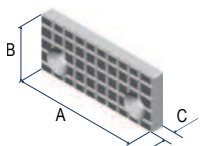
Piastra ganascia liscia
Smooth jaw plate



A	48	73	98
B	20	32	50
C	6	10	10
Cod.	6.61.0C100	6.61.0C200	6.61.0C300

Art. 610D

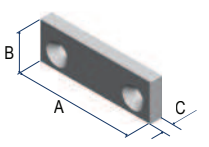
Piastra ganascia zigrinata
Serrated jaw plate



A	48	73	98
B	20	32	50
C	6	10	10
Cod.	6.61.0D100	6.61.0D200	6.61.0D300

Art. 610E

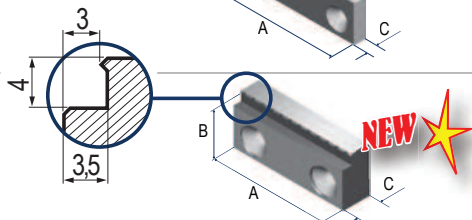
Piastra ganascia parallela
Parallel jaw plate



A	48	73	98
B	15	27	45
C	6	10	10
Cod.	6.61.0E100	6.61.0E200	6.61.0E300

Art. 610T

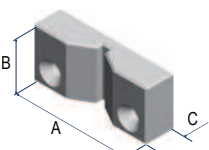
Piastra ganascia **GRIP** a forte serraggio
GRIP jaw plate for strongest clamping



A	48	73	98
B	20	32	50
C	8	10	10
Cod.	6.61.0T100	6.61.0T200	6.61.0T300

Art. 610F

Piastra ganascia prismatica
Prismatic jaw plate



∅	5 + 35	9 + 50	20 + 80
A	48	73	98
B	20	32	50
C	12	18	30
Cod.	6.61.0F100	6.61.0F200	6.61.0F300

Art. 610Z

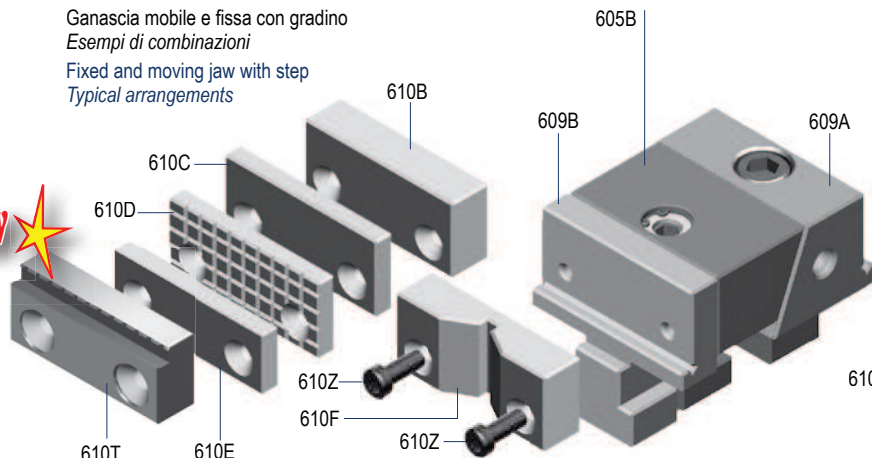
Vite per piastre ganasce
Screw for jaw plates



Cod.	6.61.0Z100	6.61.0Z200	6.61.0Z300
------	------------	------------	------------

Art. 609

Ganascia mobile e fissa con gradino
Esempi di combinazioni
Fixed and moving jaw with step
Typical arrangements



Art. 609T

Ganascia fissa e mobile **GRIP**
Fixed and movable **GRIP** jaw

