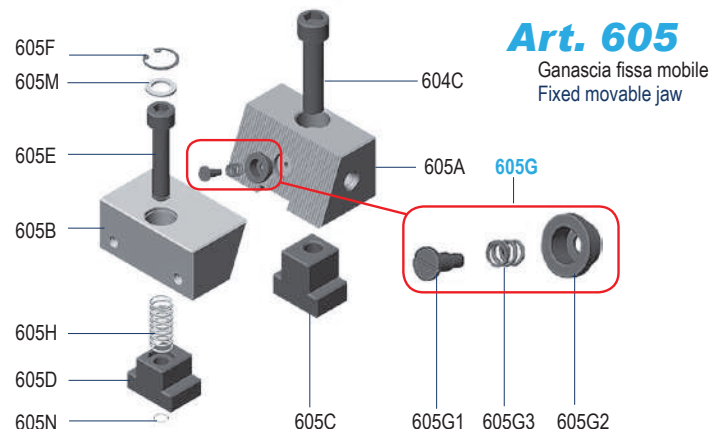
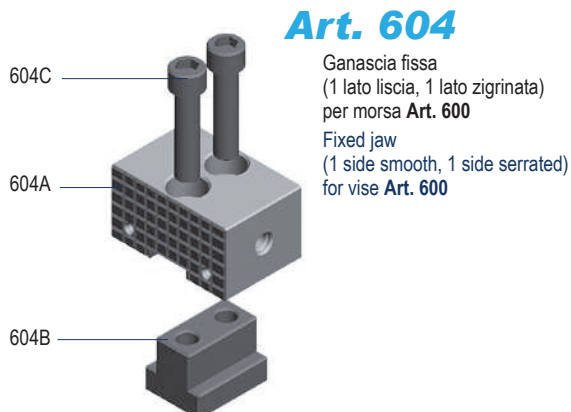


| Tipo (grandezza) morsa / Vise (type) size | | 1 | 2 | 3 | |
|---|---|---|-----------------|------------|------------|
| Art. 604 | Ganascia fissa / Fixed jaws | | Cod. 6.60.41000 | 6.60.42000 | 6.60.43000 |
| Art. 604A | Ganascia fissa (un lato liscio e uno zigrinato) Fixed jaw (1 side smooth, 1 side serrated) | | Cod. 6.60.4A100 | 6.60.4A200 | 6.60.4A300 |
| Art. 604B | Dado a "T" per ganascia fissa / "T" nut for fixed jaw | | Cod. 6.60.4B100 | 6.60.4B200 | 6.60.4B300 |
| Art. 604C | Vite TCEI fissaggio ganascia fissa Hex socket head screw for fixed jaw | | Cod. 6.60.4C100 | 6.60.4C200 | 6.60.4C300 |
| Art. 605A | Cuneo di posizionamento / Positioning wedge | | Cod. 6.60.5A100 | 6.60.5A200 | 6.60.5A300 |
| Art. 605AS | Cuneo di posizionamento zigrinato Serrated positioning wedge | | Cod. 6.60.5AS10 | 6.60.5AS20 | 6.60.5AS30 |
| Art. 605B | Cuneo di spinta / Clamping wedge | | Cod. 6.60.5B100 | 6.60.5B200 | 6.60.5B300 |
| Art. 605BS | Cuneo di spinta zigrinato / Serrated clamping wedge | | Cod. 6.60.5BS10 | 6.60.5BS20 | 6.60.5BS30 |
| Art. 605C | Dado a "T" per cuneo di posizionamento "T" nut for positioning wedge | | Cod. 6.60.5C100 | 6.60.5C200 | 6.60.5C300 |
| Art. 605D | Dado a "T" per cuneo di spinta "T" nut for clamping wedge | | Cod. 6.60.5D100 | 6.60.5D200 | 6.60.5D300 |
| Art. 605E | Vite TCEI / TCEI screw | | Cod. 6.60.5E100 | 6.60.5E200 | 6.60.5E300 |
| Art. 605F | Anello elastico / Seeger | | Cod. 6.60.5F100 | 6.60.5F200 | 6.60.5F300 |
| Art. 605G1 | Vite a gradino / Step screw | | Cod. 6.60.5G101 | | 6.60.5G103 |
| Art. 605G2 | Perno a molla / Spring pin | | Cod. 6.60.5G201 | 6.60.5G202 | 6.60.5G203 |
| Art. 605G3 | Molla / Spring | | Cod. 6.60.5G301 | | 6.60.5G303 |
| Art. 605H | Molla / Spring | | Cod. 6.60.5H100 | 6.60.5H200 | 6.60.5H300 |
| Art. 605I | Cuneo a spinta dolce / Soft clamping wedge | | Cod. 6.60.5I100 | 6.60.5I200 | 6.60.5I300 |
| Art. 605L | Cuneo di spinta a "V" / "V" clamping wedge | | Cod. 6.60.5L100 | 6.60.5L200 | 6.60.5L300 |
| Art. 605M | Rondella / Washer | | Cod. 6.60.5M100 | 6.60.5M200 | 6.60.5M300 |
| Art. 605N | Anello elastico / Seeger | | Cod. 6.60.5N100 | 6.60.5N200 | 6.60.5N300 |

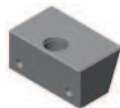


Tipo (grandezza) morsa / Vise (type) size

1 2 3

Art. 605B

Cuneo di spinta
Clamping wedge



Art. 605BT

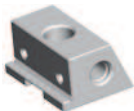
Cuneo di spinta per piastra **GRIP**
Clamping wedge for **GRIP** plate



| | | | |
|-----------------|------------|------------|------------|
| Cod. Art. 605B | 6.60.5B100 | 6.60.5B200 | 6.60.5B300 |
| Cod. Art. 605BT | 6.60.5BT10 | 6.60.5BT20 | 6.60.5BT30 |

Art. 609A

Cuneo di posizionamento con gradino
Positioning wedge with step



Art. 609AT

Cuneo di posizionamento **GRIP**
Positioning **GRIP** wedge



| | | | |
|-----------------|------------|------------|------------|
| Cod. Art. 609A | 6.60.9A100 | 6.60.9A200 | 6.60.9A300 |
| Cod. Art. 609AT | 6.60.9AT10 | 6.60.9AT20 | 6.60.9AT30 |

Art. 609B

Ganascia mobile guidata con gradino
Movable guided jaw with step



Art. 609BT

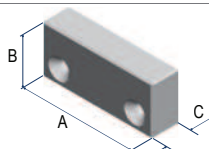
Ganascia mobile guidata **GRIP**
Movable guided **GRIP** jaw



| | | | |
|-----------------|------------|------------|------------|
| Cod. Art. 609B | 6.60.9B100 | 6.60.9B200 | 6.60.9B300 |
| Cod. Art. 609BT | 6.60.9BT10 | 6.60.9BT20 | 6.60.9BT30 |

Art. 610B

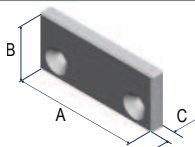
Piastra ganascia dolce
Soft jaw plate



| | | | |
|------|------------|------------|------------|
| A | 48 | 73 | 98 |
| B | 20 | 32 | 50 |
| C | 12 | 18 | 30 |
| Cod. | 6.61.0B100 | 6.61.0B200 | 6.61.0B300 |

Art. 610C

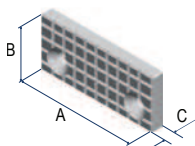
Piastra ganascia liscia
Smooth jaw plate



| | | | |
|------|------------|------------|------------|
| A | 48 | 73 | 98 |
| B | 20 | 32 | 50 |
| C | 6 | 10 | 10 |
| Cod. | 6.61.0C100 | 6.61.0C200 | 6.61.0C300 |

Art. 610D

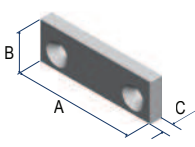
Piastra ganascia zigrinata
Serrated jaw plate



| | | | |
|------|------------|------------|------------|
| A | 48 | 73 | 98 |
| B | 20 | 32 | 50 |
| C | 6 | 10 | 10 |
| Cod. | 6.61.0D100 | 6.61.0D200 | 6.61.0D300 |

Art. 610E

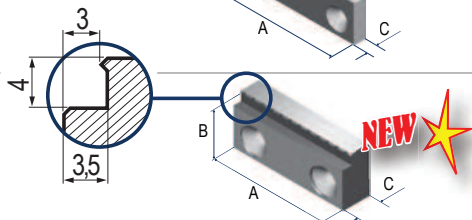
Piastra ganascia parallela
Parallel jaw plate



| | | | |
|------|------------|------------|------------|
| A | 48 | 73 | 98 |
| B | 15 | 27 | 45 |
| C | 6 | 10 | 10 |
| Cod. | 6.61.0E100 | 6.61.0E200 | 6.61.0E300 |

Art. 610T

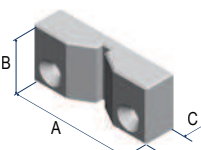
Piastra ganascia **GRIP** a forte serraggio
GRIP jaw plate for strongest clamping



| | | | |
|------|------------|------------|------------|
| A | 48 | 73 | 98 |
| B | 20 | 32 | 50 |
| C | 8 | 10 | 10 |
| Cod. | 6.61.0T100 | 6.61.0T200 | 6.61.0T300 |

Art. 610F

Piastra ganascia prismatica
Prismatic jaw plate



| | | | |
|------|------------|------------|------------|
| ∅ | 5 + 35 | 9 + 50 | 20 + 80 |
| A | 48 | 73 | 98 |
| B | 20 | 32 | 50 |
| C | 12 | 18 | 30 |
| Cod. | 6.61.0F100 | 6.61.0F200 | 6.61.0F300 |

Art. 610Z

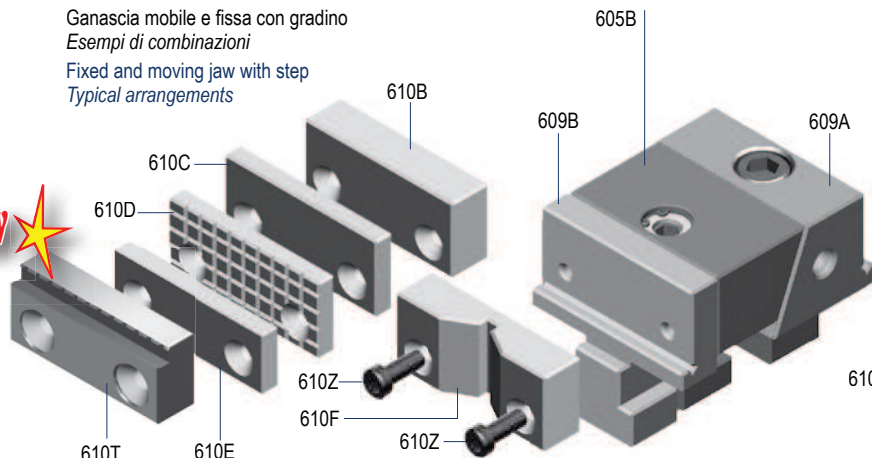
Vite per piastre ganasce
Screw for jaw plates



| | | | |
|------|------------|------------|------------|
| Cod. | 6.61.0Z100 | 6.61.0Z200 | 6.61.0Z300 |
|------|------------|------------|------------|

Art. 609

Ganascia mobile e fissa con gradino
Esempi di combinazioni
Fixed and moving jaw with step
Typical arrangements



Art. 609T

Ganascia fissa e mobile **GRIP**
Fixed and movable **GRIP** jaw

