

Tipo (grandezza) morsa / Vise (type) size

1

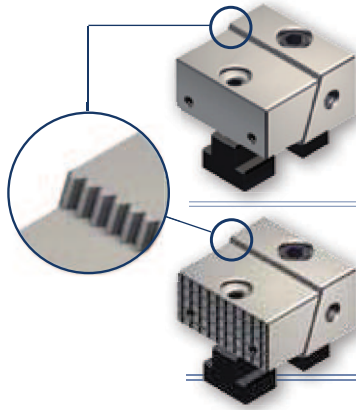
2

3

**Art. 605**

Ganascia fissa e mobile liscia per morsa Art. 600  
Fixed and movable smooth jaws for vise Art. 600

Ganascia discendente guidata / Sistema a pettine (Particolare)  
Guided pull down jaw / Comb system (Detail)



kg	0.6	1.8	4.7
Cod.	6.60.51000	6.60.52000	6.60.53000

**Art. 605S**

Ganascia fissa e mobile zigrinata per morsa Art. 600  
Fixed and movable serrated jaws Art. 600

kg	0.6	1.8	4.7
Cod.	6.60.5S100	6.60.5S200	6.60.5S300

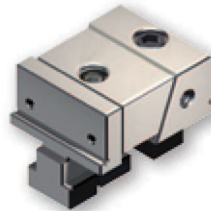
**Art. 605W**

Ganascia fissa zigrinata e mobile liscia per morsa Art. 600  
Serrated fixed jaw and movable smooth for vise Art. 600

Cod.	6.60.5W100	6.60.5W200	6.60.5W300
------	------------	------------	------------

**Art. 609**

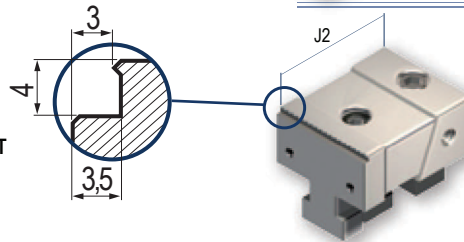
Ganascia fissa e mobile con gradino per morsa Art. 606  
Fixed and moving jaw with step for vise Art. 606



kg	0.8	2.2	5.5
Cod.	6.60.91000	6.60.92000	6.60.93000

**Art. 609T**

Ganascia fissa e mobile GRIP per morsa Art. 606T  
Fixed and moving GRIP jaw for vise Art. 606T



Cod.	6.60.9T100	6.60.9T200	6.60.9T300
------	------------	------------	------------

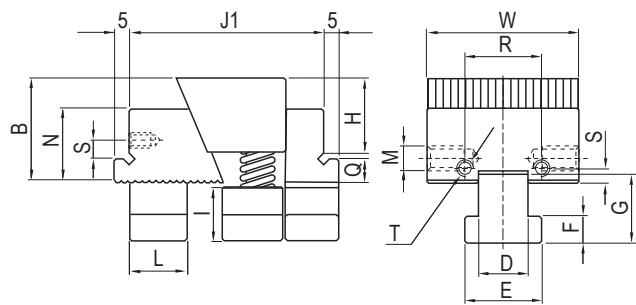
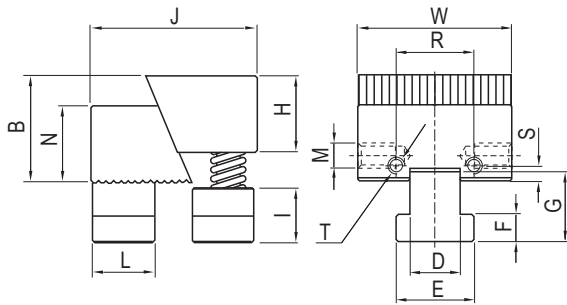
**Art. 605**

**Art. 605S**

**Art. 605W**

**Art. 609**

**Art. 609T**



Art.	1	2	3
W	49	74	99
B	35 / 25	40	60
D	14	22	30
E	22	35	48
F	8	14	21
G	25	33	46
H	25	34	50
I	18	26	42
J	54 / 58	70 / 75	94,5 / 98,5
J1	65 / 68	83 / 88	109 / 113
J2	59 / 62	77 / 82	103 / 107
L	22	26	35
M	M10	M10	M10
N	25	40	60
Q	5	8	10
R	30	50	50
S	7	10	10
T	M5	M6	M6

Tipo (grandezza) morsa / Vise (type) size		1	2	3	
<b>Art. 604</b>	Ganascia fissa / Fixed jaws		Cod. 6.60.41000	6.60.42000	6.60.43000
<b>Art. 604A</b>	Ganascia fissa (un lato liscio e uno zigrinato) Fixed jaw (1 side smooth, 1 side serrated)		Cod. 6.60.4A100	6.60.4A200	6.60.4A300
<b>Art. 604B</b>	Dado a "T" per ganascia fissa / "T" nut for fixed jaw		Cod. 6.60.4B100	6.60.4B200	6.60.4B300
<b>Art. 604C</b>	Vite TCEI fissaggio ganascia fissa Hex socket head screw for fixed jaw		Cod. 6.60.4C100	6.60.4C200	6.60.4C300
<b>Art. 605A</b>	Cuneo di posizionamento / Positioning wedge		Cod. 6.60.5A100	6.60.5A200	6.60.5A300
<b>Art. 605AS</b>	Cuneo di posizionamento zigrinato Serrated positioning wedge		Cod. 6.60.5AS10	6.60.5AS20	6.60.5AS30
<b>Art. 605B</b>	Cuneo di spinta / Clamping wedge		Cod. 6.60.5B100	6.60.5B200	6.60.5B300
<b>Art. 605BS</b>	Cuneo di spinta zigrinato / Serrated clamping wedge		Cod. 6.60.5BS10	6.60.5BS20	6.60.5BS30
<b>Art. 605C</b>	Dado a "T" per cuneo di posizionamento "T" nut for positioning wedge		Cod. 6.60.5C100	6.60.5C200	6.60.5C300
<b>Art. 605D</b>	Dado a "T" per cuneo di spinta "T" nut for clamping wedge		Cod. 6.60.5D100	6.60.5D200	6.60.5D300
<b>Art. 605E</b>	Vite TCEI / TCEI screw		Cod. 6.60.5E100	6.60.5E200	6.60.5E300
<b>Art. 605F</b>	Anello elastico / Seeger		Cod. 6.60.5F100	6.60.5F200	6.60.5F300
<b>Art. 605G1</b>	Vite a gradino / Step screw		Cod. 6.60.5G101		6.60.5G103
<b>Art. 605G2</b>	Perno a molla / Spring pin		Cod. 6.60.5G201	6.60.5G202	6.60.5G203
<b>Art. 605G3</b>	Molla / Spring		Cod. 6.60.5G301		6.60.5G303
<b>Art. 605H</b>	Molla / Spring		Cod. 6.60.5H100	6.60.5H200	6.60.5H300
<b>Art. 605I</b>	Cuneo a spinta dolce / Soft clamping wedge		Cod. 6.60.5I100	6.60.5I200	6.60.5I300
<b>Art. 605L</b>	Cuneo di spinta a "V" / "V" clamping wedge		Cod. 6.60.5L100	6.60.5L200	6.60.5L300
<b>Art. 605M</b>	Rondella / Washer		Cod. 6.60.5M100	6.60.5M200	6.60.5M300
<b>Art. 605N</b>	Anello elastico / Seeger		Cod. 6.60.5N100	6.60.5N200	6.60.5N300

