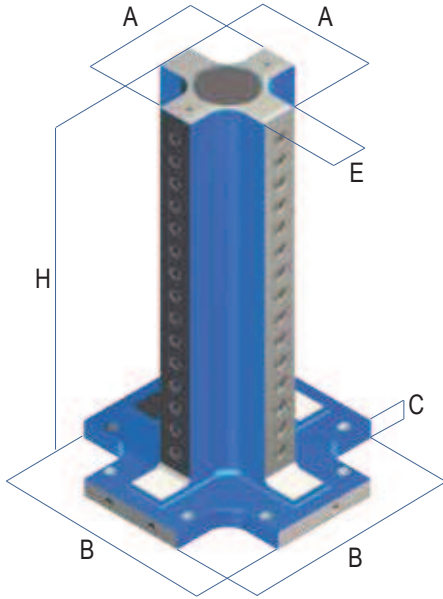


Dimensioni *Dimensions*

Art. 57F

Cubo a croce
Cross tower



A	B	C	E	H	kg	Art. 57F 40		Art. 57F 50	
						Cod.		Cod.	
200	500	40	80	750	154	8.57.F40100		8.57.F00100	
200	500	40	80	650	140	8.57.F40105		8.57.F00105	
250	500	40	80	750	194	8.57.F40106		8.57.F00106	
270	500	40	80	850	232	8.57.F40110		8.57.F00110	
230	500	40	110	850	214	8.57.F40120		8.57.F00120	
300	500	40	150	850	264	8.57.F40130		8.57.F00130	
300	630	40	150	950	322	8.57.F40140		8.57.F00140	
370	500	40	200	950	379	8.57.F40145		8.57.F00145	
400	500	50	100	850	228	8.57.F40150		8.57.F00150	

Art. 57F 40 / 57F 50

Croce a reticolo con bussole temprate 100Cr6 e filetti riportati in acciaio inox
Tolleranza $\pm 0,02$ mm

- Interasse reticolo 40 mm = $\varnothing 12 / M10$
- Interasse reticolo 50 mm = $\varnothing 16 / M12$

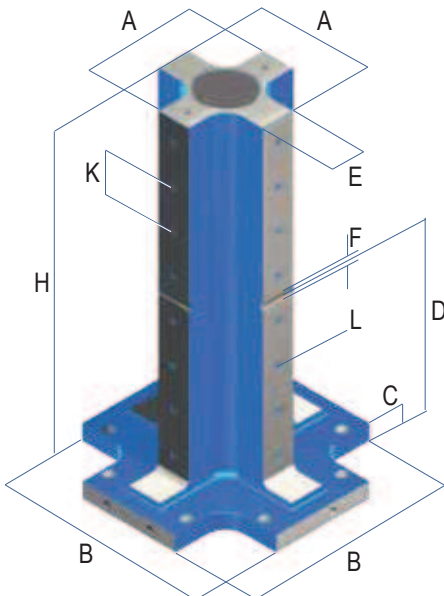
Crosscube grid type with hardened bushing 100Cr6 and inox steel helicoils
Tolerance $\pm 0,02$ mm

- Grid pitch 40 mm = $\varnothing 12 / M10$
- Grid pitch 50 mm = $\varnothing 16 / M12$

Dimensioni *Dimensions*

Art. 57G

Cubo a croce per morse Multiflex
Cross tower for Multiflex vises



A	B	C	D	E	F	H	K	L	kg	Cod.
200	500	40	350	80	16	750	50	M12	154	8.57.G00100
200	500	40	350	80	16	650	50	M12	140	8.57.G00105
250	500	40	400	80	16	750	50	M12	194	8.57.G00106
270	500	40	450	80	16	850	50	M12	232	8.57.G00110
230	500	40	450	110	16	850	50	M12	214	8.57.G00120
300	500	40	450	150	16	850	50	M12	264	8.57.G00130
300	630	40	500	150	16	950	50	M12	322	8.57.G00140
370	500	40	500	200	16	950	50	M12	379	8.57.G00145
400	500	50	450	100	16	850	50	M12	228	8.57.G00150