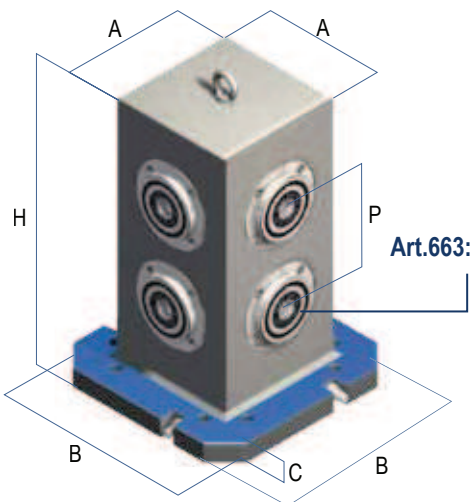


Portapezzi in ghisa con Zero Point idraulici incassati Cast iron tombstones with built-in hydraulic Zero Point

Base lavorata e raschiata per pallet a norme Europee o Giapponesi. Vedi specifiche a pagina 8.4

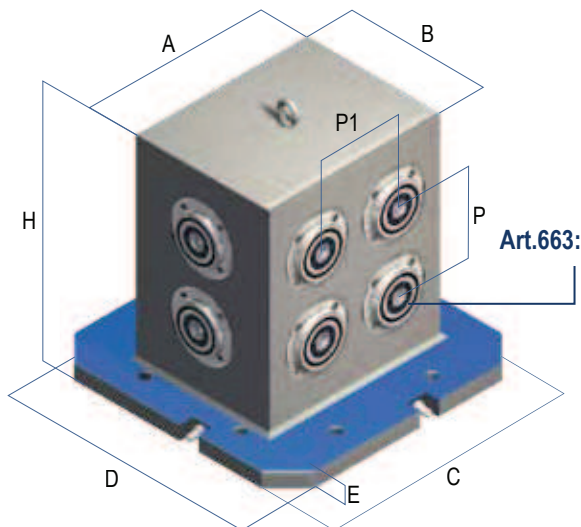
Base face machined and hand scraped for direct clamping on European or Japanese standard pallet. See specifications pag. 8.4

Art. 53H



Art.663:

Art. 54H



Art.663:

Dimensioni *Dimensions*

A	B	C	H	P	kg	Cod.	
160	250	40	290	-	54	9.53.H00020	(0) Art 663
200	315	40	300	-	79	9.53.H00030	(0) Art 663
200	350	40	370	-	99	9.53.H00040	(0) Art 663
200	500	40	600	-	179	9.53.H00050	(0) Art 663
250	400	40	450	200	150	9.53.H00060	+ (8) Art 663
250	450	40	450	200	164	9.53.H00070	+ (8) Art 663
250	400	40	550	250	174	9.53.H00080	+ (8) Art 663
250	400	40	660	300	201	9.53.H00081	+ (8) Art 663
250	500	40	610	250	215	9.53.H00090	+ (8) Art 663
250	500	40	650	300	225	9.53.H00100	+ (8) Art 663
250	500	40	750	350	250	9.53.H00105	+ (8) Art 663
250	630	40	700	300	279	9.53.H00106	+ (8) Art 663
260	500	45	1000	450	311	9.53.H00107	+ (8) Art 663
270	400	40	510	200	176	9.53.H00110	+ (8) Art 663
300	500	40	600	250	247	9.53.H00111	+ (8) Art 663
300	500	40	750	350	293	9.53.H00113	+ (8) Art 663
300	500	40	900	400	338	9.53.H00115	+ (8) Art 663
330	500	40	660	300	288	9.53.H00120	+ (8) Art 663
350	500	40	410	200	212	9.53.H00140	+ (8) Art 663
350	500	40	450	200	226	9.53.H00150	+ (8) Art 663
350	500	40	550	250	263	9.53.H00160	+ (8) Art 663
350	500	40	610	250	284	9.53.H00170	+ (8) Art 663
350	500	40	700	300	317	9.53.H00171	+ (8) Art 663
350	630	40	700	300	359	9.53.H00172	+ (8) Art 663
350	630	40	820	350	402	9.53.H00180	+ (8) Art 663
350	630	40	950	450	450	9.53.H00185	+ (8) Art 663
450	630	40	550	250	367	9.53.H00190	+ (8) Art 663
450	630	40	650	300	415	9.53.H00200	+ (8) Art 663
500	630	40	860	400	565	9.53.H00211	+ (8) Art 663
550	750	40	850	400	656	9.53.H00220	+ (8) Art 663
500	800	40	800	350	600	9.53.H00230	+ (8) Art 663

Dimensioni *Dimensions*

A	B	C	D	E	H	P	P1	kg	Cod.	
300	200	450	300	40	360	160	-	127	9.54.H00010	+ (8) Art 663
350	250	400	400	40	550	250	160	205	9.54.H00040	+ (12) Art 663
350	250	500	500	40	750	350	160	292	9.54.H00070	+ (12) Art 663
300	200	400	400	40	550	250	-	174	9.54.H00080	+ (8) Art 663
450	350	630	630	40	550	250	200	336	9.54.H00100	+ (12) Art 663
450	350	630	630	40	650	300	200	340	9.54.H00110	+ (12) Art 663
550	350	630	630	40	650	300	300	413	9.54.H00120	+ (12) Art 663

! Per lavorazioni o materiali diversi (alluminio), richiedere quotazione specifica - For different finishing and materials (aluminum), ask for specific quotation
(x) = n° Zero Point come da figura - (x) = n° Zero Point pieces shown in the image