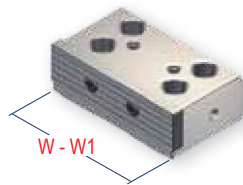


Ganasce con **PIASTRE PIANE** / **STRAIGHT PLATE** jaws

Tipo (grandezza) morsa / Vise (type) size

Art. 140 W

 Ganasca fissa. Larghezza normale (W)
Fixed jaw. Normal width (W)


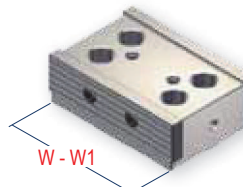
Cod.	2.14.01000	2.14.02000	2.14.03000	2.14.04000	2.14.05000	2.14.06000
------	------------	------------	------------	------------	------------	------------

Art. 141 W1

 Ganasca fissa. Larghezza ridotta rettificata (W1)
Fixed jaw. Narrow width ground (W1)

Cod.	2.14.11000	2.14.12000	2.14.13000	2.14.14000	2.14.15000	2.14.16000
------	------------	------------	------------	------------	------------	------------

Art. 143 W

 Ganasca fissa doppia. Larghezza normale (W)
Double fixed jaw. Normal width (W)


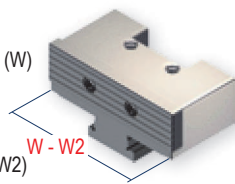
Cod.	2.14.31000	2.14.32000	2.14.33000	2.14.34000	2.14.35000	2.14.36000
------	------------	------------	------------	------------	------------	------------

Art. 144 W1

 Ganasca fissa doppia. Larghezza ridotta rettificata (W1)
Double fixed jaw. Narrow width ground (W1)

Cod.	2.14.41000	2.14.42000	2.14.43000	2.14.44000	2.14.45000	2.14.46000
------	------------	------------	------------	------------	------------	------------

Art. 146 W

 Ganasca mobile monoblocco guidata. Larghezza normale (W)
Guided movable solid jaw. Normal width (W)


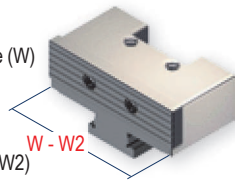
Cod.	2.14.61000	2.14.62000	2.14.63000	2.14.64000	2.14.65000	2.14.66000
------	------------	------------	------------	------------	------------	------------

Art. 147 W2

 Ganasca mobile monoblocco guidata. Larghezza ridotta (W2)
Guided movable solid jaw. Narrow width (W2)

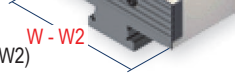

Cod.	2.14.71000	2.14.72000	2.14.73000	2.14.74000	2.14.75000	2.14.76000
------	------------	------------	------------	------------	------------	------------

Art. 148 W

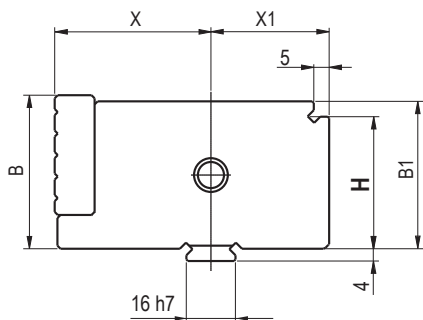
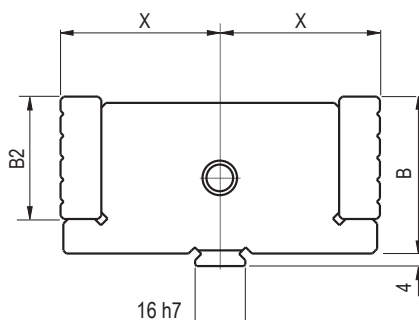
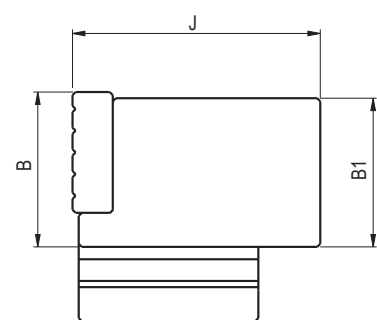
 Ganasca mobile monoblocco oscillante. Larghezza normale (W)
Floating movable solid jaw. Normal width (W)


Cod.	2.14.81000	2.14.82000	2.14.83000	2.14.84000	2.14.85000	2.14.86000
------	------------	------------	------------	------------	------------	------------

Art. 149 W2

 Ganasca mobile monoblocco oscillante. Larghezza ridotta (W2)
Floating movable solid jaw. Narrow width (W2)


Cod.	2.14.91000	2.14.92000	2.14.93000	2.14.94000	2.14.95000	2.14.96000
------	------------	------------	------------	------------	------------	------------

Art. 140

Art. 143

Art. 146


$$W2 = W1 - 1\text{mm}$$

Art.	1	2	3	4	5	6
W	100	125	150	175	200	300
W1	75	95	125	145	170	195
B	30	40	50	60	65	80
B1	28	38	48	58	63	78
B2	24,5	32	40	43	53	63
* H	23	33	43	53	53	68
J	50	60	80	90	100	120
X	42,4	42,4	50,9	55,4	66,4	73,1
X1	35,5	35,5	38,5	41,5	47	47

* DIMENSIONE DA ACCOPPIARE AD Art. 2012 + 217 + 214 - DIMENSION TO BE MATCHED WITH Art. 212 + 217 + 214