



## Piastre ganascia StdFLEX a cambio rapido / StdFLEX quick change jaw plates

Tipo (grandezza) morsa / Vise (type) size

1	2	3	4	5	6
---	---	---	---	---	---

**Art. 120A**

 Ganascia fissa  
Fixed jaw


Cod.	4.12.0A100	4.12.0A200	4.12.0A300	4.12.0A400	4.12.0A500	4.12.0A600

**Art. 123A**

 Ganascia fissa doppia  
Double fixed jaw


Cod.	4.12.3A100	4.12.3A200	4.12.3A300	4.12.3A400	4.12.3A500	4.12.3A600

**Art. 126A**

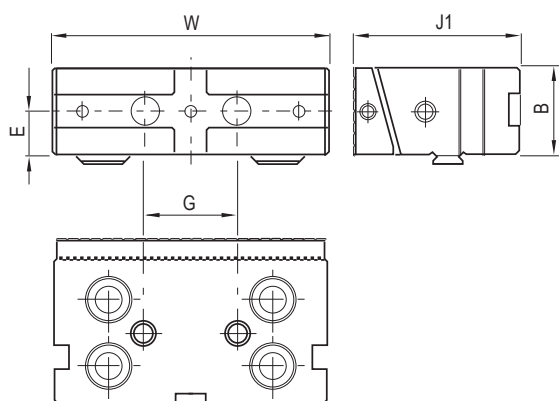
 Ganascia mobile oscillante  
Floating movable jaw

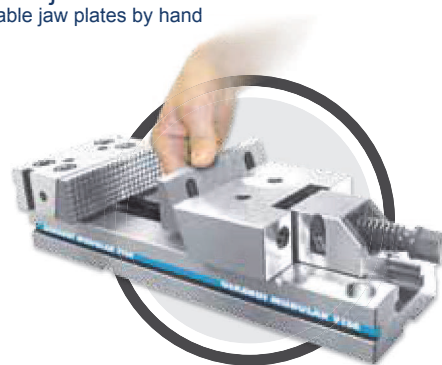
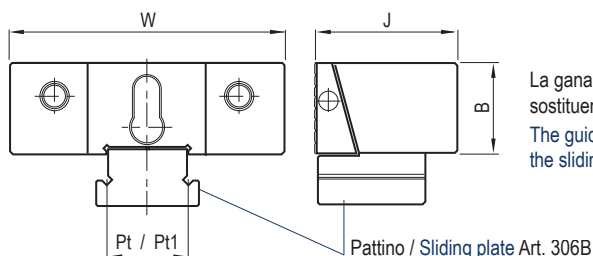

Cod.	4.12.6A100	4.12.6A200	4.12.6A300	4.12.6A400	4.12.6A500	4.12.6A600

**Art. 127A**

 Ganascia mobile guidata  
Guided movable jaw


Cod.	4.12.7A100	4.12.7A200	4.12.7A300	4.12.7A400	4.12.7A500	4.12.7A600

**Art. 120A**

**Ganacce StandardFLEX**  
con piastre intercambiabili manualmente  
(Sistema a pettine)

**HRC= 60**
**StandardFLEX jaws**  
with interchangeable jaw plates by hand  
(Comb system)

**Art. 127A**

**PIASTRE GANASCE A CAMBIO RAPIDO MANUALE**  
**QUICK MANUAL JAW PLATES CHANGE**

La ganascia mobile guidata, Art. 127A, può essere tramutata in ganascia mobile oscillante, sostituendo il pattino, Art. 306B, con il pattino Art. 306C (vedi pag. 4-22)

The guided movable jaw, Art. 127A, could be transformed into a floating movable jaw by simply exchanging the sliding plate, Art. 306B, with sliding plate Art. 306C (see page 4-22)

mm	1	2	3	4	5	6
W	96	121	146	171	196	296
B	28	38	48	58	63	78
E	14	19	25	27	30	47
G	-	-	50	50	50	50
J	21	28	41	51	61	120
J1	19	26	39	49	49	120,39
Pt	77,9	77,9	89,4	96,9	113,4	71
Pt1	50	60	80	90	100	69