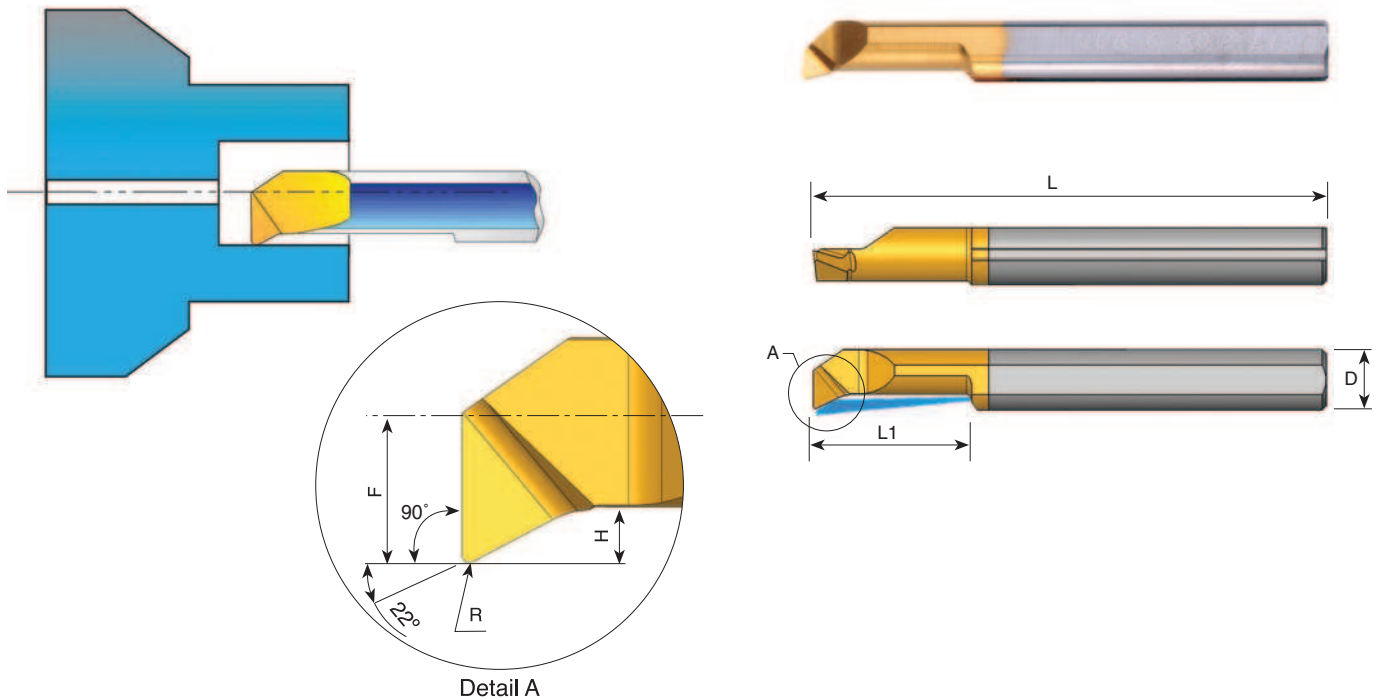


MUR Bars Profiling, 90° Face Cutting - with Coolant Channel



D	Ordering Code	L	L1	R	H	F	Min. Bore Dia.	Holder*
3.0	MUR 3 R0.05 L10	39	10	0.05	0.4	1.3	3.1	SIM 0020 H3
3.0	MUR 3 R0.05 L15	39	15	0.05	0.4	1.3	3.1	SIM 0020 H3
4.0	MUR 4 R0.1 L10	51	10	0.10	0.5	1.7	4.1	SIM 0020 H4
4.0	MUR 4 R0.1 L15	51	15	0.10	0.5	1.7	4.1	SIM 0020 H4
5.0	MUR 5 R0.15 L15	51	15	0.15	0.7	2.1	5.1	SIM 0020 H5
5.0	MUR 5 R0.15 L22	51	22	0.15	0.7	2.1	5.1	SIM 0020 H5
6.0	MUR 6 R0.15 L15	51	15	0.15	0.9	2.8	6.1	SIM 0020 H6
6.0	MUR 6 R0.15 L22	51	22	0.15	0.9	2.8	6.1	SIM 0020 H6
8.0	MUR 8 R0.2 L22	64	22	0.20	1.1	3.8	8.1	SIM 0020 H8

Order example: MUR 5 R0.15 L15 BXC

* For additional holders see page 156

Technical Section

Carbide Grade: **BXC (P30 - P50, K25 - K40)**

PVD TiN coated grade for low cutting speed, Works well with a wide range of stainless steels.

Cutting speed for Tiny Tools

ISO Standard	Materials	Cutting Speed m/min
P	Low & Medium Carbon Steel	20-140
	High Carbon Steel	30-100
	Alloy Steels & Treated Steels	40- 90
M	Stainless Steels	20- 90
	Cast Steels	40- 90
K	Cast Iron	40-120
N	Non-Ferrous & Aluminium	50-120
S	Super alloy and Titanium	15- 30
H	Hard Materials	13- 30

Recommended Feed Rate: 0.01 - 0.03 mm/rev

Threading Passes

Pitch:	mm	0.5	0.7	0.8	1.0	1.25	1.5
	TPI	48	36	32	24	20	16
Number of Passes		6-12	7-14	7-16	8-18	8-20	10-22